

BAXI
Make it easy



ErP Compliant 

Baxi range guide

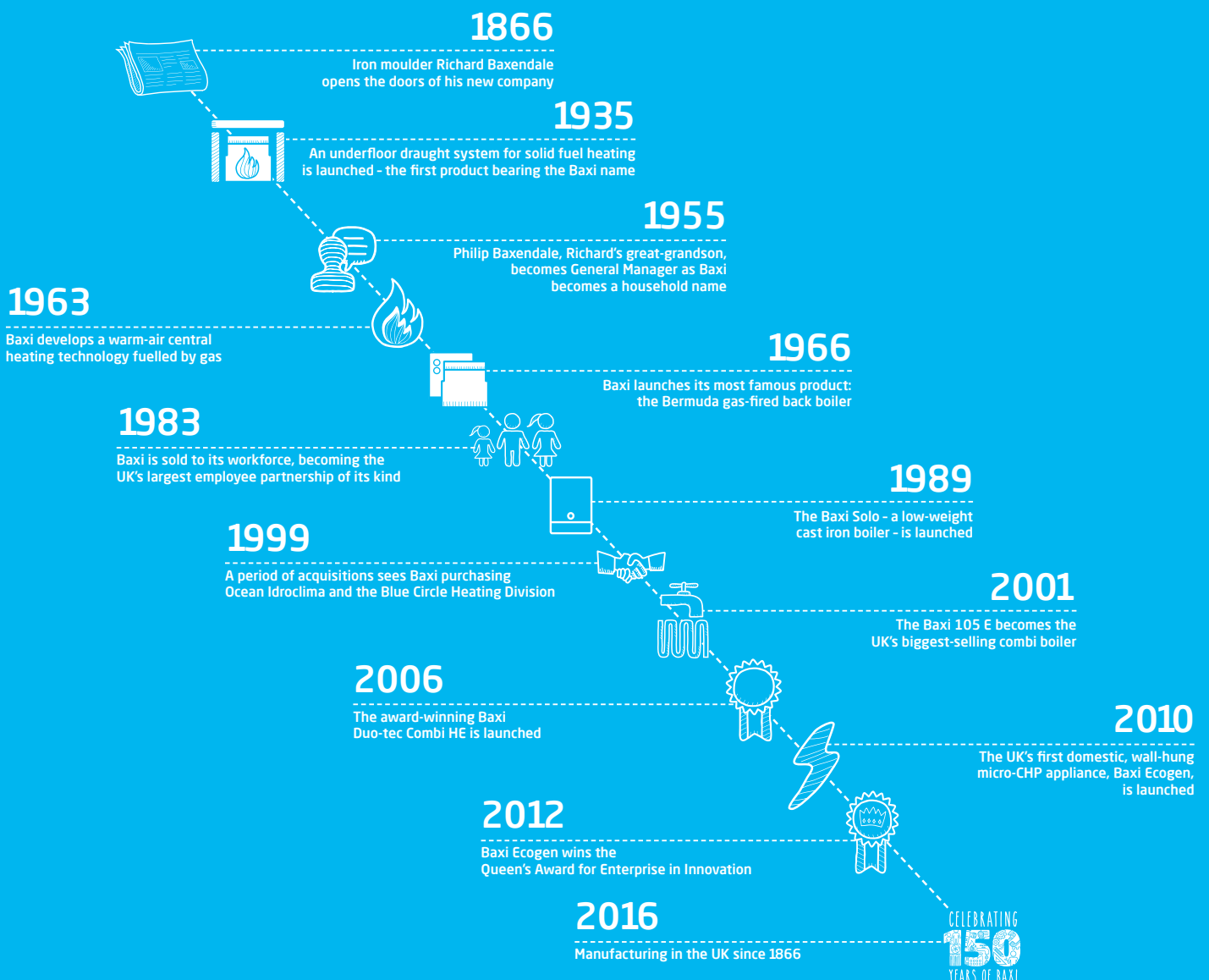
Heat
Merchants

A brand you can trust

Baxi has been manufacturing in the UK for over 150 years. It has a heritage of providing cutting edge heating products for homes and is the best known boiler manufacturer amongst homeowners.†

We continue to invest in the business to provide reliable, energy efficient heating and hot water products, backed by industry-leading customer support, nationwide availability of parts and training.

A brief history of Baxi



†According to independent research.

Baxi make it easy



We are committed to making your experience with Baxi as easy as possible.

Reliability

Every Baxi boiler has to pass a full function test using gas, water and electricity, before it leaves the production line.

Warranty

We are so confident in the reliability of our boilers that we provide industry-leading warranties, providing peace of mind for you and your customers. And our warranty terms and conditions have been approved by the Plain English Campaign so they are easy to understand.

Efficiency

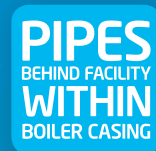
All Baxi boilers are Energy Saving Trust endorsed, helping households to save money on their gas bills.

Support

We are there for you – providing practical training, technical help and genuine parts – when you need us.

Easy to install

Our boilers come with a pre-plumbing jig, complete with preformed copper pipe tails, built-in filling loop and one metre mains cable to save you time and money during installation.



Key features

Outputs 24kw, 30kw and 36kw

Great hot water performance

Compact cupboard fit

Pipes behind facility within boiler casing

Lightweight

Easy-Fill permanent filling link

Brass hydraulics block

Central flue

OpenTherm interface

Benefits

To suit most property sizes

Flow rates up to 15.0 litres per minute**

Can be installed in a 290mm deep cupboard

Save time, space and money by piping behind within the footprint of the boiler

29.5kg lift weight

Single spring loaded lever enables homeowners to top up the system quickly and easily

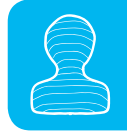
Trusted and robust

For easy replacement

Compatible with Baxi uSense Smart Wired Thermostat

* Subject to registration and an annual service. Terms and conditions apply. Visit baxi.co.uk/warranty

** At 35°C rise



"I've fitted a few of these boilers now, they're very well built with copper and brass hydraulics, easy to install with a hanging bracket and an option to fit pipes down the back without the need for an additional fixing jig and nice, easy user interface that customers like. Easy to commission and with a 7 year warranty great boiler at a good price - will be fitting more of these"

Paul McGrath
Paul McGrath Heating Services

Baxi 600 Combi

The Baxi 600 is small enough to fit into a 290mm deep cupboard, has a built in pipes behind facility within the boiler casing and brass hydraulics. It's compatible with the Baxi uSense smart thermostat and comes with a 7 year extended warranty*.

Accessories

The following accessories are compatible with the Baxi 600 Combi



7649277
Baxi uSense smart thermostat



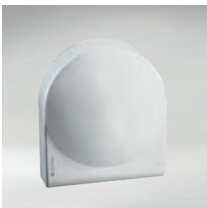
7683084
Baxi IFOS (In Flue Outdoor Sensor)



720971601
Baxi wired room thermostat



720971401
Wall mounted 24hr mechanical timer



7703233
Multifit wired outdoor sensor - Combi



7212444
Baxi single channel wired timer



7212438
Baxi single channel wired programmable room thermostat



720030501
Baxi combi wireless 7 Day programmable room stat

Technical specifications

HOW WE MAKE IT EASY

Wall mounted bracket for quick and simple installation.



Boiler dimensions

Width [A]	Height [B]	Depth [C]
390mm	700mm	285mm

Service clearances

Side [D]	Upper [E]	Lower [F]	Front [G]
5mm*	178mm*	200mm*	5mm in operation,* (* 450mm for servicing purposes)

*These are the minimum recommended dimensions. Greater clearance will aid installation and maintenance.



What's in the box?



Baxi 600 Combi boiler



Wall mounted bracket



Literature and fitting pack



Easy-Fill permanent filling link



Copper pipe tails

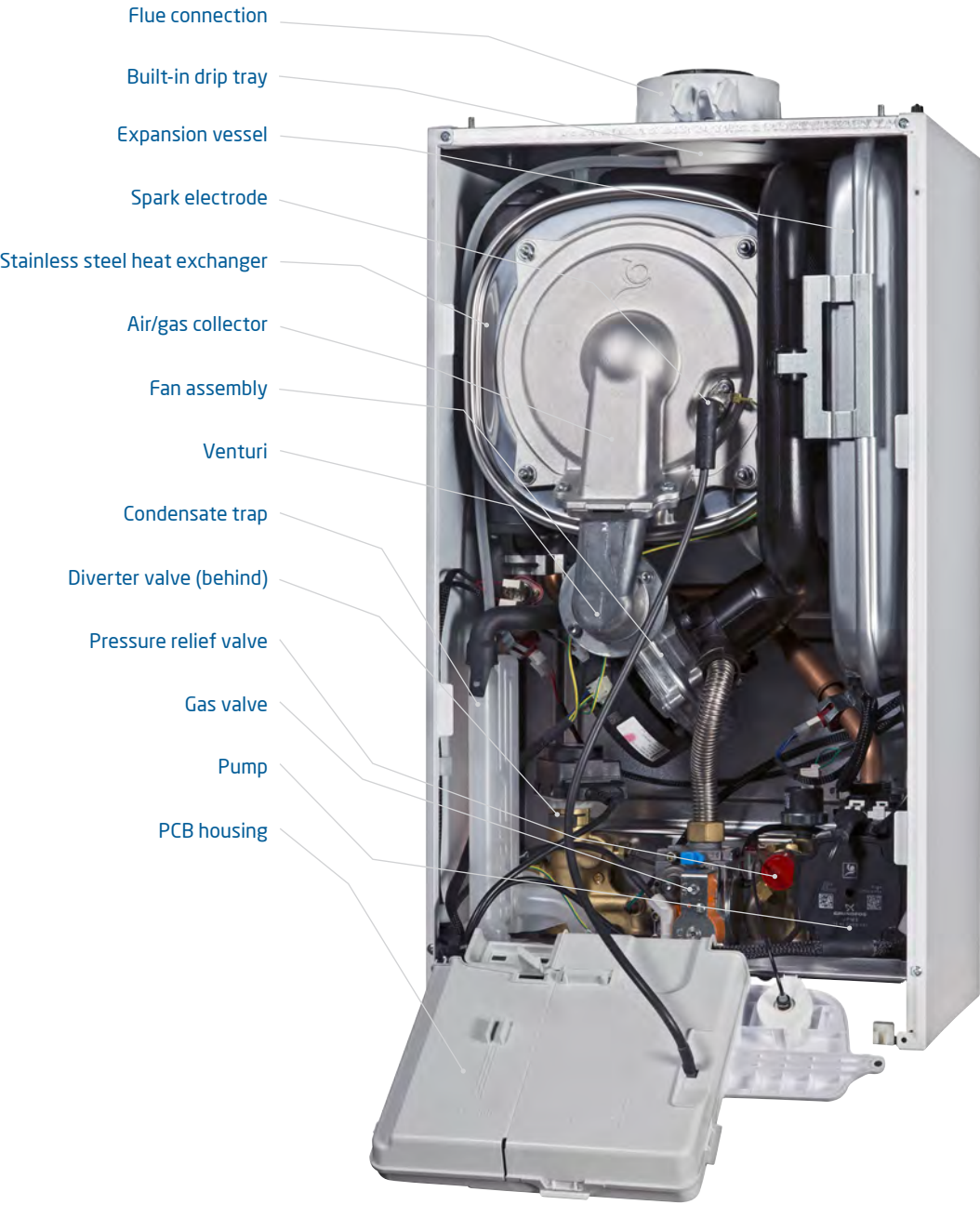
Technical details

Baxi 600 Combi ErP

		624 Combi	630 Combi	636 Combi
Baxi sales code	Boiler only	7682194	7682101	7691350
Heat Merchant code		U17947	U17948	U17949
Controls and accessories				
User adjustable DHW temperature	Range - 35°C to 60°C	✓	✓	✓
User adjustable CH temperature	Range - 25°C to 80°C	✓	✓	✓
Temp/status/fault diagnosis display		LCD display	LCD display	✓
uSense Wired (optional accessory)	7649277	Optional	Optional	✓
Integral 24 hr Electro-mechanical timer		N/A	N/A	N/A
Wired 24hr Electro-mechanical timer (optional accessory)	720971401	Optional	Optional	Optional
7 Day RF Digital Programmable Room Thermostat (optional accessory)	720030501	Optional	Optional	Optional
Single Channel Wired Programmable Room Thermostat (optional accessory)	7212438	Optional	Optional	Optional
Single Channel Wired Timer (optional accessory)	7212444	Optional	Optional	Optional
Wired room Thermostat (optional accessory)	720971601	Optional	Optional	Optional
Wired Outdoor Weather Sensor (optional accessory)	7703233	Optional	Optional	Optional
Baxi IFOS (optional accessory)	7683084	Optional	Optional	Optional
Baxi Easy-Fill	7665482	✓	✓	✓
Gas				
Natural gas		✓	✓	✓
Propane LPG			Refer to LPG models on page 12	
Inlet supply pressure (natural gas)	mbar (nominal)	20	20	20
Maximum Gas Rate (G20) Qmax	m ³ /hr	2.71	3.26	3.81
NOx	mg/kWh	31	31	39
NOx class		6	6	6
Heat input CH	kW (Max) Gross (QnHs)	22.9	22.9	28.6
	kW (Min) Gross (QnHs)	6.9	6.9	7.4
Heat output CH (non condensing)	kW (Max) (Pn)	20	20	25
	kW (Min) (Pn)	6.1	6.1	6.7
Heat output CH (condensing)	kW (Max) (Pnc)	21.2	21.2	26.4
	kW (Min) (Pnc)	6.7	6.7	6.7
Heat input domestic hot water (DHW)	kW max gross (QnWHs)	28.6	34.3	40.8
Heat output domestic hot water (Nominal)	kW max	25	30	36
SAP 2009 Annual Efficiency (PCDB/SEDBUK)		89%	89%	89%
ErP Product Information				
Seasonal Space Heating Energy Efficiency		93%	93%	93%
Sound power level, indoors	LWA dB	51	51	50
Space heating efficiency class		A	A	A
Water heating declared load profile		XL	XL	XL
Water heating efficiency class		A	A	A
Electrical				
Electrical supply	Volts / Hz	230V / 50Hz	230V / 50Hz	230V/50HZ
Permanent live required		✓	✓	✓
Electrical cable supplied	(0.75mm heat resistant flex)	✗	✗	✗
Power consumption when firing	Watts	68	78	110
External fuse rating	Amps	3	3	3
Internal fuse rating	Amps	F2A H250V	F2A H250V	F2A H250V
Boiler IP rating (electrical protection) without integral timer fitted	Approval Category	IPX5D	IPX5D	IPX5D
Circulating pump exercise feature		✓	✓	✓
Pump overrun		✓	✓	✓
Integral 'boiler only' frost thermostat		✓	✓	✓
Mechanical				
Hanging Bracket		✓	✓	✓
Isolating valves with pre-formed copper tails		✓	✓	✓
Gas supply connection	(mm)	22	22	22
Central heating connections	(mm)	22	22	22
Domestic Hot Water connections	(mm)	15	15	15
Condensate discharge pipe connection	(mm)	21.5	21.5	21.5
Safety discharge pipe connection	(mm)	15	15	15
Pre-plumbing jig accessory (optional accessory)	7682545	✓	✓	✓
Rear pipework kit (optional accessory)	7682790	✓	✓	✓
Easy-Fill permanent filling link		✓	✓	✓
Remote secondary PRV kit (optional accessory)	5121379	✓	✓	✓
Hydraulic				
Maximum DHW flow rate (Delta T @ 35°C max)	l/min	10.2	12.2	15.0
Minimum DHW flow rate required	l/min	2	2	2
Minimum operating DHW pressure required	bar	0.5	0.5	0.5
Maximum DHW system pressure	bar	8	8	8
Safety discharge pressure	bar	3	3	3
Compartment ventilation required		✗	✗	✗
Easy-Fill permanent filling link supplied		✓	✓	✓
Integral expansion vessel	Size (litres)	7	7	7
Maximum capacity of CH system	Litres	100	100	100
Integral automatic bypass		✓	✓	✓
CH System Inhibitor Required		✓	✓	✓
Concentric flue systems				
Concentric flue diameters	mm	60/100 and 80/125	60/100 and 80/125	60/100 and 80/125
Standard telescopic horizontal flue (60/100mm)	mm	315-500	315-500	315-500
Standard horizontal flue kit (60/100mm)	mm	685	685	685
Max equiv length horizontal/vertical (60/100mm)	m	10	10	10
Max equiv length horizontal/vertical (80/125mm)	m	20	20	20
Equivalent length per 135° bend	m	0.50	0.50	0.50
Equivalent length per 93° bend	m	1.00	1.00	1.00
Weights				
Installer lift weight (boiler)	Max (kg)	29.2	29.2	30.2
Gross packaged boiler weight	(kg)	32.2	32.2	33.5

What's inside the boiler?

Baxi 600 Combi



HOW WE MAKE IT EASY

An industry-leading choice of flues.

Flues

Horizontal concentric flues Ø 60/100mm

Multifit flue group A

Item description	Colour	Specification	Key and OD dimensions	Baxi sales code	Heat Merchants code
1 Horizontal telescopic flue inc. low profile elbow and fixing screws	White pipe/white terminal	315mm - 500mm	100mm	720599401	U33815
2 Horizontal telescopic flue inc. low profile elbow and fixing screws	White pipe/black terminal	315mm - 500mm	100mm	720598701	U33814
3 1m flue extension inc. fixing screws	White	1000mm	100mm	720648801	U33816
4 93° flue bend inc. fixing screws	White	93°	100mm	720648401	U33821
5 135° flue bend inc. fixing screws (pair)	White	135°	100mm	720647901	U33820
6 Standard horizontal flue inc. low profile elbow and fixing screws	White pipe/black terminal	685mm	100mm	7222019	U72536

Plume displacement kits Ø 60/100mm

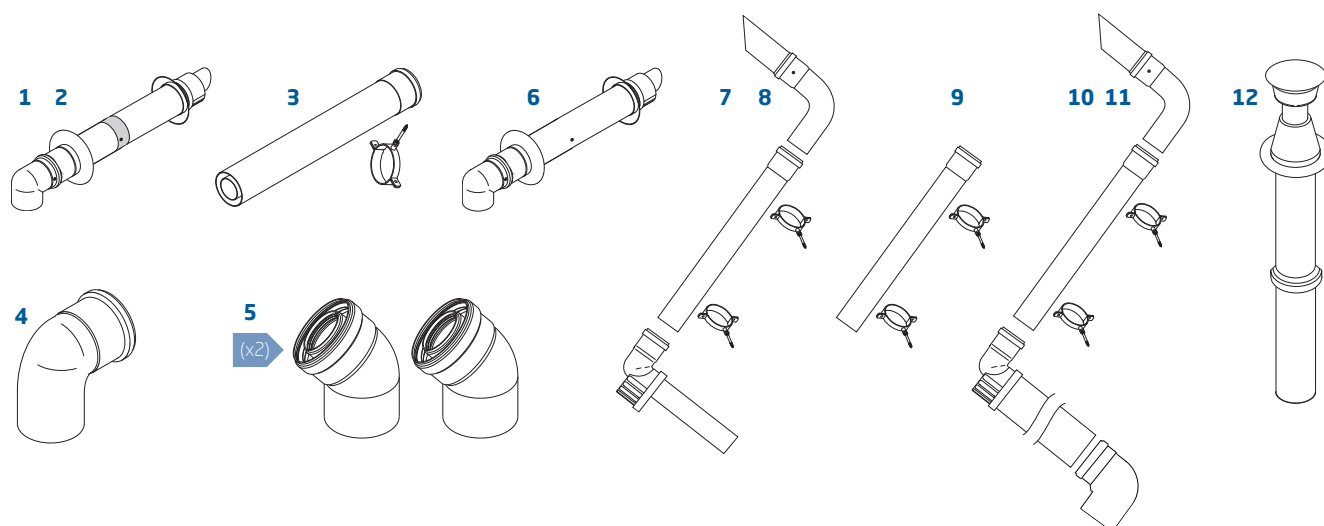
Multifit flue group A

Item description	Colour	Specification	Key and OD dimensions	Baxi sales code	Heat Merchants code
7 Plume displacement terminal kit for telescopic flue inc 1m extension and brackets	White		60mm	720627001	U33830
8 Plume displacement terminal kit for telescopic flue inc 1m extension and brackets	Black		60mm	720622901	U33834
9 Plume displacement kit extension and brackets	White	1000mm	60mm	720643401	U33831
10 Plume displacement terminal kit inc. 1m extension and brackets	White		60mm	7225717	U33830
11 Plume displacement terminal kit inc. 1m extension and brackets	Black		60mm	7225716	U33834

Vertical concentric flues Ø 60/100mm

Multifit flue group A

Item description	Colour	Specification	Key and OD dimensions	Baxi sales code	Heat Merchants code
12 Vertical flue terminal	Black		100mm	5118576	119903
3 1m flue extension inc. fixing screws	White	1000mm	100mm	720648801	U33816
4 93° flue bend inc. fixing screws	White	93°	100mm	720648401	U33821
5 135° flue bend inc. fixing screws (pair)	White	135°	100mm	720647901	U33820





Key features

Outputs 24kW and 30kW

Great hot water performance

Compact cupboard fit

Pipes behind facility within boiler casing

Lightweight

Easy-Fill permanent filling link

Brass hydraulics block

Central flue

OpenTherm interface

Benefits

To suit most property sizes

Flow rates up to 12.2 litres per minute**

Can be installed in a 290mm deep cupboard

Save time, space and money by piping behind within the footprint of the boiler

29.5kg lift weight

Single spring loaded lever enables homeowners to top up the system quickly and easily

Trusted and robust

For easy replacement

Compatible with Baxi uSense Smart Wired Thermostat

* Subject to registration and an annual service. Terms and conditions apply. Visit baxi.co.uk/warranty

** At 35°C rise



Baxi 600 Combi LPG

The Baxi 600 Combi LPG is small enough to fit into a 290mm deep cupboard, has a built in pipes behind facility within the boiler casing and brass hydraulics. It's compatible with the Baxi uSense smart thermostat and comes with a 7 year extended warranty*.

Accessories

The following accessories are compatible with the Baxi 600 Combi LPG



7649277
Baxi uSense smart thermostat



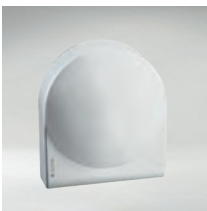
7683084
Baxi IFOS (In Flue Outdoor Sensor)



720971601
Baxi wired room thermostat



720971401
Wall mounted 24hr mechanical timer



7703233
Multifit wired outdoor sensor - Combi



7212444
Baxi single channel wired timer



7212438
Baxi single channel wired programmable room thermostat



720030501
Baxi combi wireless 7 Day programmable room stat

Technical specifications

HOW WE MAKE IT EASY

Wall mounted bracket for quick and simple installation.



Boiler dimensions

Width [A]	Height [B]	Depth [C]
390mm	700mm	285mm

Service clearances

Side [D]	Upper [E]	Lower [F]	Front [G]
5mm*	178mm*	200mm*	5mm in operation,* (* 450mm for servicing purposes)

*These are the minimum recommended dimensions. Greater clearance will aid installation and maintenance.



What's in the box?



Baxi 600 Combi LPG boiler



Wall mounted bracket



Literature and fitting pack



Easy-Fill permanent filling link



Copper pipe tails

Technical details

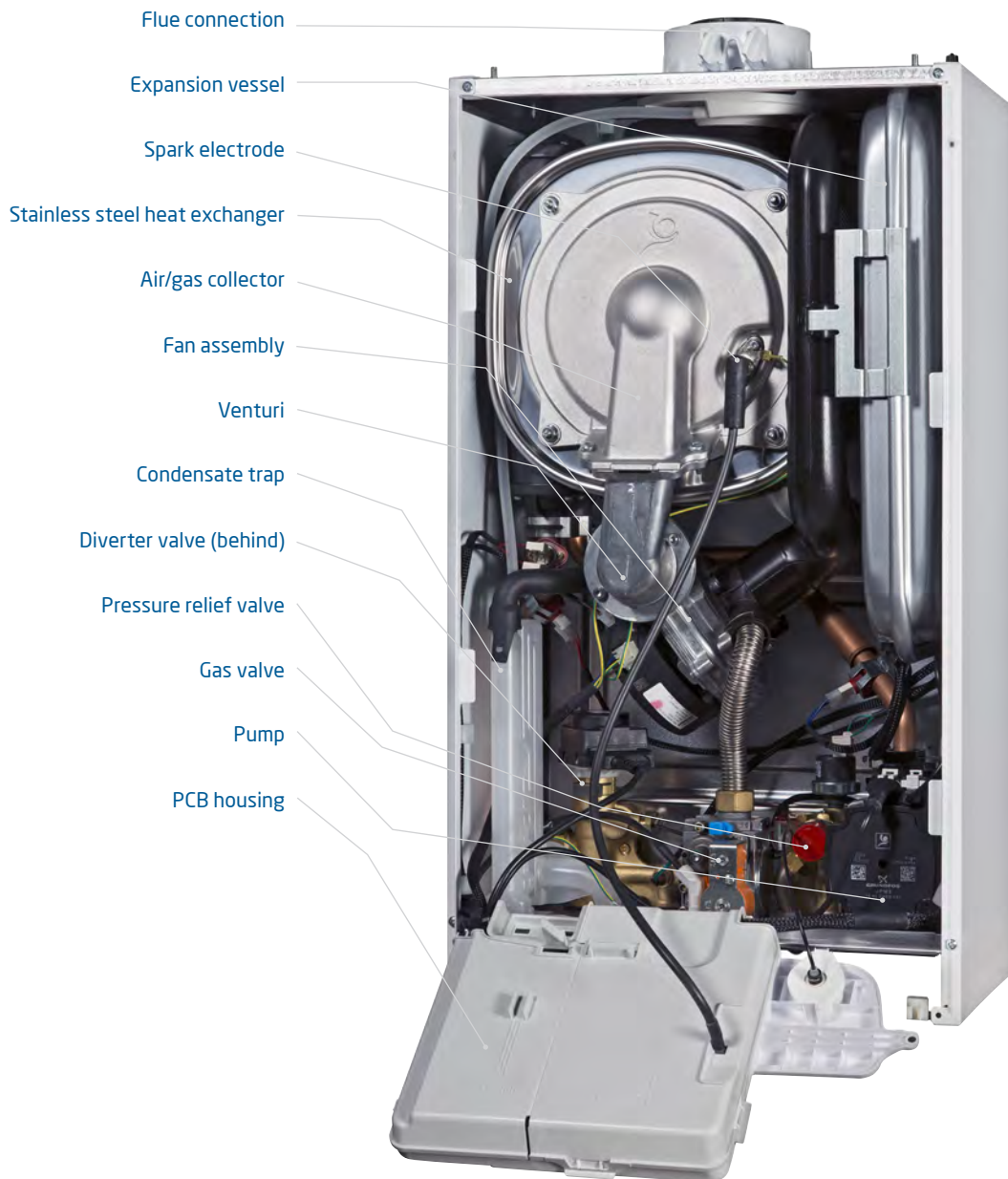
Baxi 600 Combi LPG ErP

624 Combi LPG 630 Combi LPG

Baxi sales code	Boiler only	7703803	7703804
Heat Merchants code		U17950	U17951
Controls and accessories			
User adjustable DHW temperature	Range - 35°C to 60°C	✓	✓
User adjustable CH temperature	Range - 25°C to 80°C	✓	✓
Temp/status/fault diagnosis display		LCD display	LCD display
uSense Wired (optional accessory)	7649277	Optional	Optional
Integral 24 hr Electro-mechanical timer		x	x
Wired 24hr Electro-mechanical timer (optional accessory)	720971401	Optional	Optional
7 Day RF Digital Programmable Room Thermostat (optional accessory)	720030501	Optional	Optional
Single Channel Wired Programmable Room Thermostat (optional accessory)	7212438	Optional	Optional
Single Channel Wired Timer (optional accessory)	7212444	Optional	Optional
Wired room Thermostat (optional accessory)	720971601	Optional	Optional
Wired Outdoor Weather Sensor (optional accessory)	7703233	Optional	Optional
Baxi iFOS (optional accessory)	7683084	Optional	Optional
Baxi Easy-Fill	7665482	✓	✓
Gas			
Natural gas		Refer to NG models on page 10	
Propane LPG		✓	✓
Inlet supply pressure (LPG)	mbar (nominal)	37	37
Maximum Gas Rate (G31) Qmax	m ³ /hr	1.98	2.38
NOx	mg/kWh	29.7	28.3
NOx class		6	6
Heat input CH (Nominal)	kW (Max) Gross (QnHs)	22.9	22.9
	kW (Min) Gross (QnHs)	6.9	6.9
Heat output CH (non condensing)	kW (Max) (Pn)	20	20
	kW (Min) (Pn)	6.1	6.2
Heat output CH (condensing)	kW (Max) (Pnc)	21.2	21.2
	kW (Min) (Pnc)	6.7	6.7
Heat input domestic hot water (Nominal)	kW max gross (QnwHs)	28.6	34.3
Heat output domestic hot water	kW max	25	30
SAP 2009 Annual Efficiency (PCDB/SEDBUK)		89%	89%
ErP Product Information			
Seasonal Space Heating Energy Efficiency		93%	93%
Sound power level, indoors	LWA dB	51	51
Space heating efficiency class		A	A
Water heating declared load profile		XL	XL
Water heating efficiency class		A	A
Electrical			
Electrical supply	Volts / Hz	230V / 50Hz	230V / 50Hz
Permanent live required		✓	✓
Electrical cable supplied	(0.75mm heat resistant flex)	x	x
Power consumption when firing	Watts	68	78
External fuse rating	Amps	3	3
Internal fuse rating	Amps	F2A H250V	F2A H250V
Boiler IP rating (electrical protection) without integral timer fitted	Approval Category	IPX5D	IPX5D
Circulating pump exercise feature		✓	✓
Pump overrun		✓	✓
Integral 'boiler only' frost thermostat		✓	✓
Mechanical			
Hanging Bracket		✓	✓
Isolating valves with pre-formed copper tails		✓	✓
Gas supply connection	(mm)	22	22
Central heating connections	(mm)	22	22
Domestic Hot Water connections	(mm)	15	15
Condensate discharge pipe connection	(mm)	21.5	21.5
Safety discharge pipe connection	(mm)	15	15
Pre-plumbing jig accessory (optional accessory)	7682545	✓	✓
Rear pipework kit (optional accessory)	7682790	✓	✓
Easy-Fill permanent filling link		✓	✓
Remote secondary PRV kit (optional accessory)	5121379	✓	✓
Hydraulic			
Maximum DHW flow rate (Delta T @ 35°C max)	l/min	10.2	12.2
Minimum DHW flow rate required	l/min	2	2
Minimum operating DHW pressure required	bar	0.5	0.5
Maximum DHW system pressure	bar	8	8
Safety discharge pressure	bar	3	3
Compartment ventilation required		x	x
Easy-Fill permanent filling link supplied		✓	✓
Integral expansion vessel	Size (litres)	7	7
Maximum capacity of CH system	Litres	100	100
Integral automatic bypass		✓	✓
CH System Inhibitor Required		✓	✓
Concentric flue systems			
Concentric flue diameters	mm	60/100 and 80/125	60/100 and 80/125
Standard telescopic horizontal flue (60/100mm)	mm	315-500	315-500
Standard horizontal flue kit (60/100mm)	mm	685	685
Max equiv length horizontal/vertical (60/100mm)	m	10	10
Max equiv length horizontal/vertical (80/125mm)	m	20	20
Equivalent length per 135° bend	m	0.50	0.50
Equivalent length per 93° bend	m	1.00	1.00
Weights			
Installer lift weight (boiler)	Max (kg)	29.2	29.2
Gross packaged boiler weight	(kg)	32.2	32.2

What's inside the boiler?

Baxi 600 Combi LPG



HOW WE MAKE IT EASY

An industry-leading
choice of flues.

Flues

Horizontal concentric flues Ø 60/100mm

Multifit flue group A

Item description	Colour	Specification	Key and OD dimensions	Baxi sales code	Heat Merchants code
1 Horizontal telescopic flue inc. low profile elbow and fixing screws	White pipe/white terminal	315mm - 500mm	100mm	720599401	U33815
2 Horizontal telescopic flue inc. low profile elbow and fixing screws	White pipe/black terminal	315mm - 500mm	100mm	720598701	U33814
3 1m flue extension inc. fixing screws	White	1000mm	100mm	720648801	U33816
4 93° flue bend inc. fixing screws	White	93°	100mm	720648401	U33821
5 135° flue bend inc. fixing screws (pair)	White	135°	100mm	720647901	U33820
6 Standard horizontal flue inc. low profile elbow and fixing screws	White pipe/black terminal	685mm	100mm	7222019	U72536

Plume displacement kits Ø 60/100mm

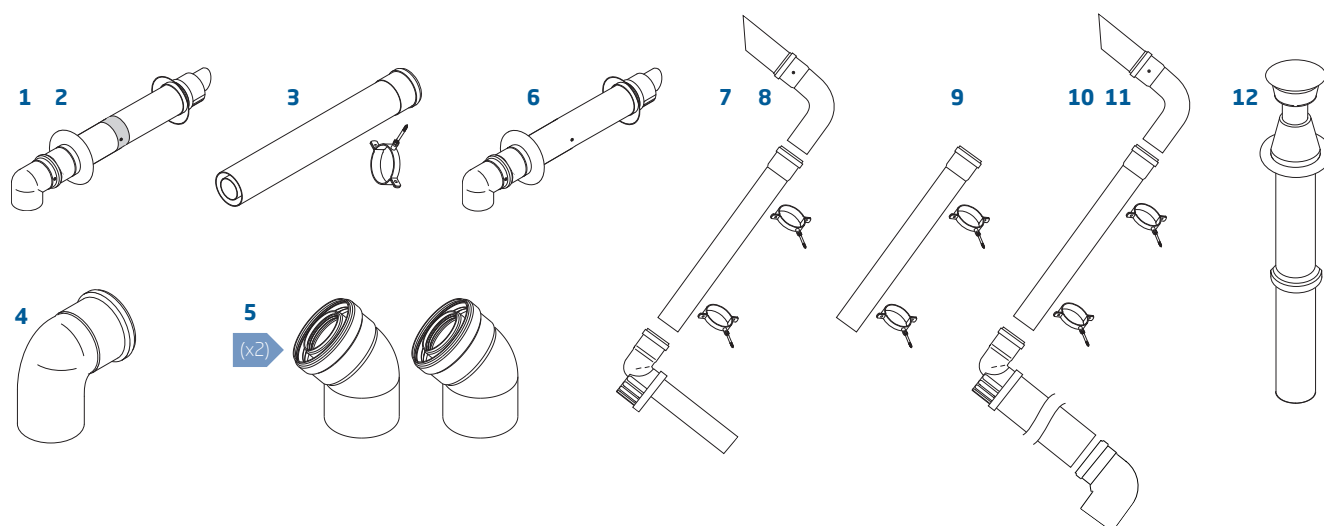
Multifit flue group A

Item description	Colour	Specification	Key and OD dimensions	Baxi sales code	Heat Merchants code
7 Plume displacement terminal kit for telescopic flue inc 1m extension and brackets	White		60mm	720627001	U33830
8 Plume displacement terminal kit for telescopic flue inc 1m extension and brackets	Black		60mm	720622901	U33834
9 Plume displacement kit extension and brackets	White	1000mm	60mm	720643401	U33831
10 Plume displacement terminal kit inc. 1m extension and brackets	White		60mm	7225717	U33830
11 Plume displacement terminal kit inc. 1m extension and brackets	Black		60mm	7225716	U33834

Vertical concentric flues Ø 60/100mm

Multifit flue group A

Item description	Colour	Specification	Key and OD dimensions	Baxi sales code	Heat Merchants code
12 Vertical flue terminal	Black		100mm	5118576	119903
3 1m flue extension inc. fixing screws	White	1000mm	100mm	720648801	U33816
4 93° flue bend inc. fixing screws	White	93°	100mm	720648401	U33821
5 135° flue bend inc. fixing screws (pair)	White	135°	100mm	720647901	U33820





Key features

Outputs: 24kW and 28kW

Compact size

26kg lift weight

Simple hanging bracket

Modular fan gas air unit

Rigid filling loop

Optional stand off frame

Industry leading choice of flue lengths, bends and accessories

Vertical packaging

Opentherm Interface

Benefits

To suit most property sizes

Can be installed in a 290mm deep cupboard

Easier to manoeuvre

For easy installation

For easy maintenance

For a neater finish

Neater installations for hidden pipework

For versatile siting and easy replacement

Easy to transport and unpack

Compatible with Baxi uSense Smart Wired Thermostat

* Subject to registration and an annual service. Terms and conditions apply. Visit baxi.co.uk/warranty



Baxi listened to the needs of installers and their customers and has designed a compact combi that will fit virtually anywhere, making it easier for installers to site the boiler.

Steve Turner
P&H Services Ltd, Kenilworth

Baxi 400 Combi

The Baxi 400 is a high efficiency boiler; simple to use and provides plenty of heating and hot water. The boiler has a rigid filling loop for a neater finish and has the option to be operated using a smart phone or tablet. The reliable Baxi technology is backed by a five year parts and labour warranty* for extra peace of mind.

Accessories and controls

The following accessories are compatible with the Baxi 400 Combi



7649277
Baxi uSense smart thermostat



7683084
Baxi IFOS (In Flue Outdoor Sensor)



7658276
Baxi plug-in 24 hr single channel mechanical timer



7658523
Baxi plug-in 7 day single channel digital timer



7658781
Baxi plug-in receiver 24 hr single channel programmable mechanical room thermostat



7658789
Baxi plug-in receiver 7 day RF digital single channel programmable room thermostat



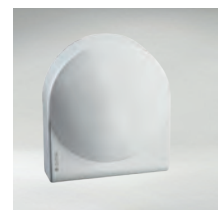
7212438
Baxi single channel wired programmable room thermostat



7212444
Baxi single channel wired timer



720971601
Baxi room thermostat



7703233
Multifit wired outdoor sensor - Combi

Technical specifications

HOW WE MAKE IT EASY

Wall mounted bracket for quick and simple installation.



Boiler dimensions

Width [A]	Height [B]	Depth [C]
395mm	700mm	279mm

Service clearances

Side [D]	Upper [E]	Lower [F]	Front [G]
5mm*	178mm*	200mm*	6mm in operation*, (* 450mm for servicing purposes)

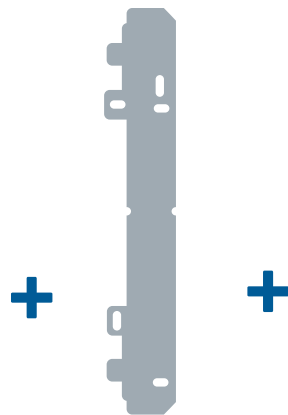
*These are the minimum recommended dimensions. Greater clearance will aid installation and maintenance.



What's in the box?



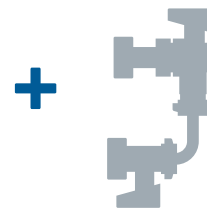
Baxi 400 Combi boiler



Wall mounted bracket



Literature and fitting pack



Filling loop



Copper pipe tails

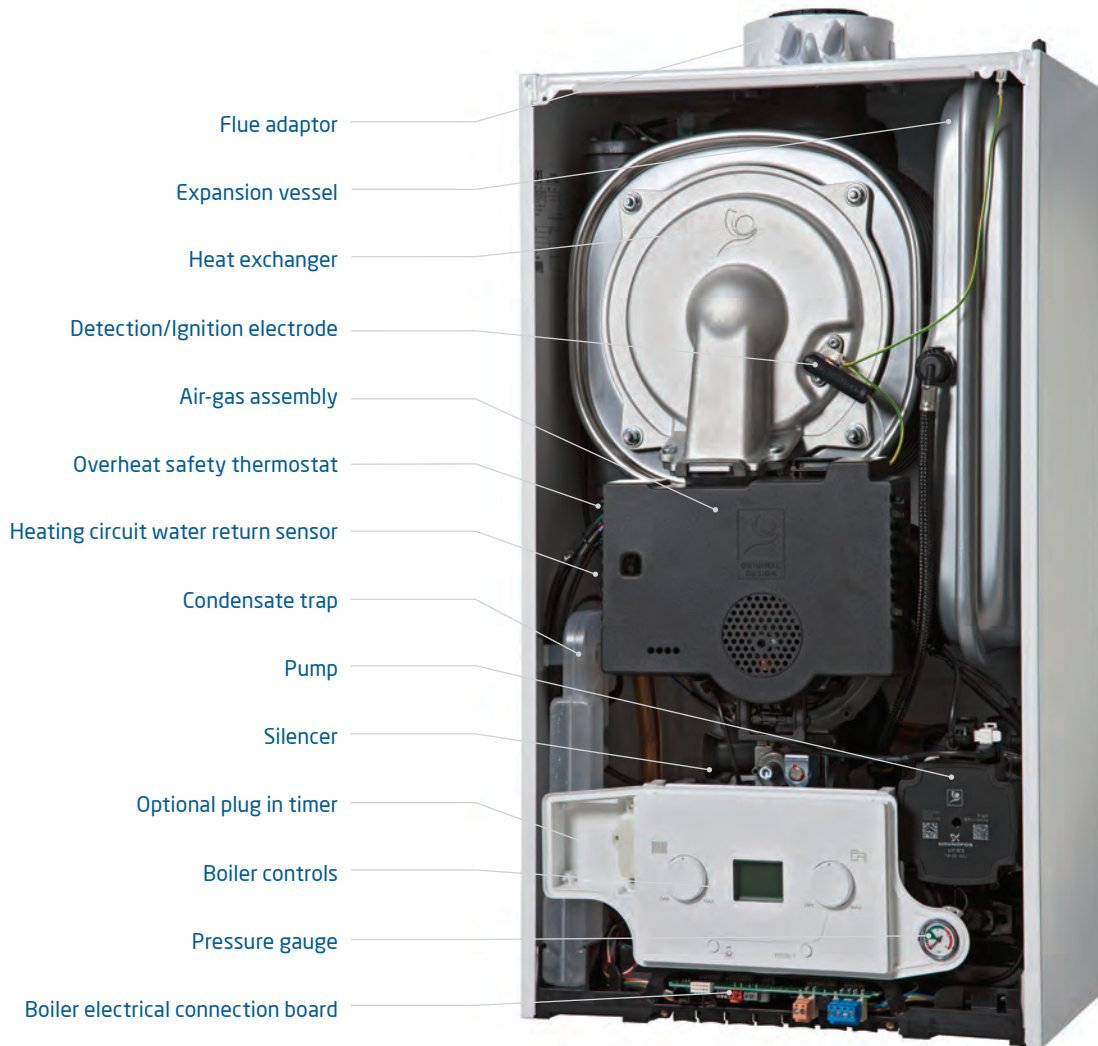
Technical details

Baxi 400 Combi

		24 Combi	28 Combi
Baxi sales code	Boiler only	7656162	7656163
Heat Merchants code		U81646	U81647
Accessories and controls			
Concealed user controls		✓	✓
Operating mode selector switch with reset		✓	✓
User adjustable DHW temperature	Range - 35°C to 60°C	✓	✓
User adjustable CH temperature	Range - 25°C to 80°C	✓	✓
Temp/status/fault diagnosis display		LCD display	LCD display
Integral 24 hr electro-mechanical timer (247206)		Optional	Optional
Plug-in 24 hr mechanical timer combi (7658276)		Optional	Optional
Plug-in 7 day digital timer combi (7658523)		Optional	Optional
Plug-in receiver 24 hr RF programmable mechanical room thermostat-combi (7658781)		Optional	Optional
Plug-in receiver 7 day RF digital programmable mechanical room thermostat-combi (7658789)		Optional	Optional
Single channel 7 day wired programmable room thermostat-combi (7212438)		Optional	Optional
Single channel wired timer (7212444)		Optional	Optional
Room thermostat (720971601)		Optional	Optional
Baxi 200 and 400 stand off kit (7659335)		Optional	Optional
Baxi IFOS (7683084)		Optional	Optional
Baxi Easy-Fill (7665482)		Optional	Optional
ErP Product Information			
Seasonal Space Heating Energy Efficiency	%	93	93
NOx	mg/kWh	38	40
Sound power level, indoors	LWA dB	48	50
Space heating efficiency class		A	A
Water heating declared load profile		XL	XL
Water heating efficiency class		A	A
Heat input CH	kW (Max) Gross (QnHs)	22.87	27.42
	kW (Min) Gross (QnHs)	5.44	5.44
Heat output CH (non condensing) factory setting	kW (Max) (Pn)	20	20
	kW (Min) (Pn)	4.8	4.8
Heat output CH (condensing) factory setting	kW (Max) (Pnc)	21.8	21.8
	kW (Min) (Pnc)	5.2	5.2
Gas			
Gas supply connection	(mm)	22	22
Inlet supply pressure (natural gas)	mbar (nominal)	20	20
Maximum Gas Rate (nat Gas after 10 mins)	m ³ /hr	2.61	3.06
SAP 2009 annual efficiency (PCDB / SEDBUK)	%	89	89
NOx class		6	6
Mechanical and hydraulic			
Heat input domestic hot water (DHW)	kW max gross (QnWHs)	27.4	32.1
Heat output domestic hot water	kW max	24	28
Maximum DHW flow rate (Delta T @ 35°C max)	l/min	9.8	11.5
Minimum DHW flow rate required	l/min	2	2
Minimum operating DHW pressure required	bar	0.15	0.15
Maximum DHW system pressure	bar	8	8
Safety discharge pressure	bar	3	3
Compartment ventilation required		✓	✓
Flow/return pipe size	(mm)	22	22
Filling loop supplied		✓	✓
Integral expansion vessel	Size (litres)	7	7
CH system inhibitor required		✓	✓
Condensate discharge pipe size	(mm)	21.5	21.5
Electrical			
Electrical supply	Volts/Hz	230V/50Hz	230V/50Hz
Permanent live required		✓	✓
Electrical cable required	core	3 x 0.75	3 x 0.75
Power consumption when firing	Watts	84	94
External fuse rating	Amps	3	3
Internal fuse rating - connection board	Amps	0.5	0.5
Internal fuse rating - Main PCB board	Amps	1.6	1.6
Boiler IP rating (electrical protection) without integral timer fitted	Approval Category	IPX5D	IPX5D
Circulating pump exercise feature		✓	✓
Pump overrun		✓	✓
Integral 'boiler only' frost thermostat		✓	✓
Concentric flue system			
Standard telescopic concentric flue	Length in mm	315-500	315-500
Horizontal and Vertical concentric (60/100mm)	Max equivalent length (m)	10	10
	Reduction Per 135° bend (m)	0.5	0.5
	Reduction Per 93° bend (m)	1	1
Horizontal and Vertical concentric (80/125mm)	Max equivalent length (m)	20	20
Weights			
Installer lift weight (boiler)	Max (kg)	26	26
Gross packaged boiler weight	(kg)	30	30

What's inside the boiler?

Baxi 400 Combi



HOW WE MAKE IT EASY

Telescopic horizontal flue option is quick and easy to fit.

Flues

Horizontal concentric flues Ø 60/100mm

Multifit flue group A

Item description	Colour	Specification	Key and OD dimensions	Baxi sales code	Heat Merchants code
1 Horizontal telescopic flue inc. low profile elbow and fixing screws	White pipe/white terminal	315mm - 500mm	100mm	720599401	U33815
2 Horizontal telescopic flue inc. low profile elbow and fixing screws	White pipe/black terminal	315mm - 500mm	100mm	720598701	U33814
3 1m flue extension inc. fixing screws	White	1000mm	100mm	720648801	U33816
4 93° flue bend inc. fixing screws	White	93°	100mm	720648401	U33821
5 135° flue bend inc. fixing screws (pair)	White	135°	100mm	720647901	U33820
6 Standard horizontal flue inc. low profile elbow and fixing screws	White pipe/black terminal	685mm	100mm	7222019	U72536

Plume displacement kits Ø 60/100mm

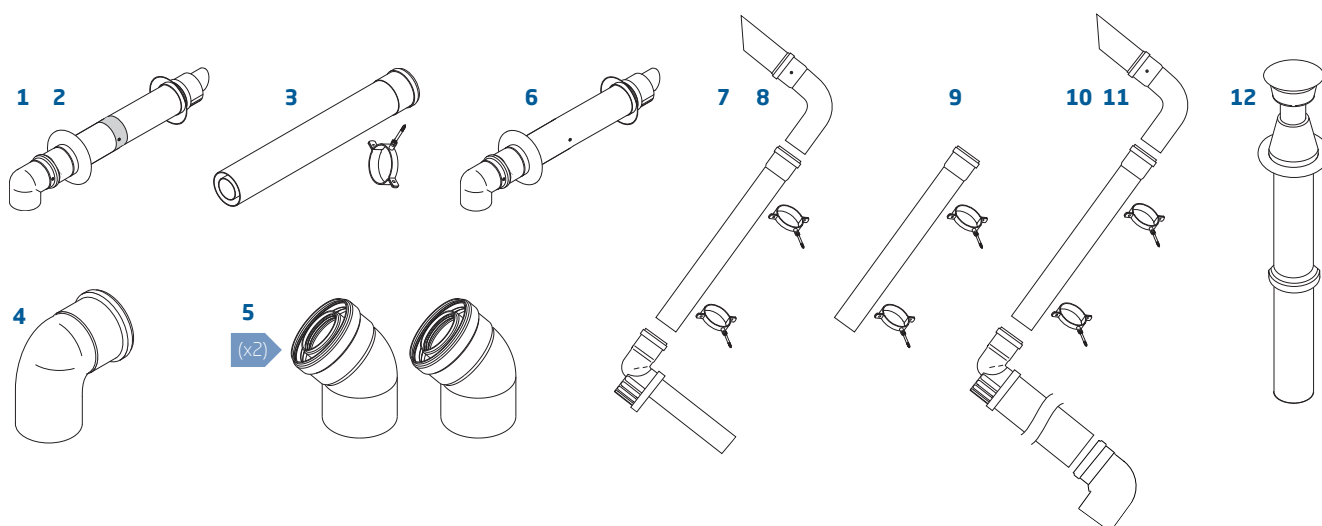
Multifit flue group A

Item description	Colour	Specification	Key and OD dimensions	Baxi sales code	Heat Merchants code
7 Plume displacement terminal kit for telescopic flue inc 1m extension and brackets	White		60mm	720627001	U33830
8 Plume displacement terminal kit for telescopic flue inc 1m extension and brackets	Black		60mm	720622901	U33834
9 Plume displacement kit extension and brackets	White	1000mm	60mm	720643401	U33831
10 Plume displacement terminal kit inc. 1m extension and brackets	White		60mm	7225717	U33830
11 Plume displacement terminal kit inc. 1m extension and brackets	Black		60mm	7225716	U33834

Vertical concentric flues Ø 60/100mm

Multifit flue group A

Item description	Colour	Specification	Key and OD dimensions	Baxi sales code	Heat Merchants code
12 Vertical flue terminal	Black		100mm	5118576	119903
3 1m flue extension inc. fixing screws	White	1000mm	100mm	720648801	U33816
4 93° flue bend inc. fixing screws	White	93°	100mm	720648401	U33821
5 135° flue bend inc. fixing screws (pair)	White	135°	100mm	720647901	U33820





Key features

Output: 28kW

Compact size

26kg lift weight

Simple hanging bracket

Modular fan gas air unit

Rigid filling loop

Optional stand off frame

Industry leading choice of flue lengths, bends and accessories

Vertical packaging

Opentherm interface

Benefits

Suitable for most properties

Can be installed in a 290mm deep cupboard

Easier to manoeuvre

For easy installation

For easy maintenance

For a neater finish

Neater installations for hidden pipework

For versatile siting and easy replacement

Easy to transport and unpack

Compatible with Baxi uSense Smart Wired Thermostat

*Subject to registration and an annual service. Terms and conditions apply. Visit baxi.co.uk/warranty



Baxi 400 Combi LPG

The Baxi 400 LPG is a high efficiency boiler; simple to use and provides plenty of heating and hot water. The boiler has a rigid filling loop for a neater finish and has the option to be operated using a smart phone or tablet. The reliable Baxi technology is backed by a five year parts and labour warranty* for extra peace of mind.

Accessories and controls

The following accessories are compatible with the Baxi 400 Combi LPG



7649277
Baxi uSense smart thermostat



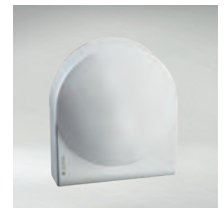
7683084
Baxi IFOS (In Flue Outdoor Sensor)



7658276
Baxi plug-in 24 hr single channel mechanical timer



7658523
Baxi plug-in 7 day single channel digital timer



7703233
Multifit wired outdoor sensor - Combi



7658789
Baxi plug-in receiver 7 day RF digital single channel programmable room thermostat



7212438
Baxi single channel wired programmable room thermostat



7212444
Baxi single channel wired timer



720971601
Baxi room thermostat



720030501
Baxi combi wireless 7 Day programmable room stat

Technical specifications

HOW WE MAKE IT EASY

Wall mounted bracket for quick and simple installation.



Boiler dimensions

Width [A]	Height [B]	Depth [C]
395mm	700mm	279mm

Service clearances

Side [D]	Upper [E]	Lower [F]	Front [G]
5mm*	178mm*	200mm*	6mm in operation*, (* 450mm for servicing purposes)

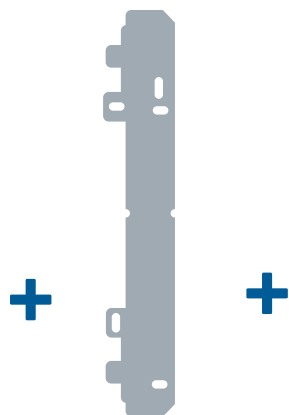
*These are the minimum recommended dimensions. Greater clearance will aid installation and maintenance.



What's in the box?



Baxi 400 Combi LPG boiler



Wall mounted bracket



Literature and fitting pack



Filling loop



Copper pipe tails

Technical details

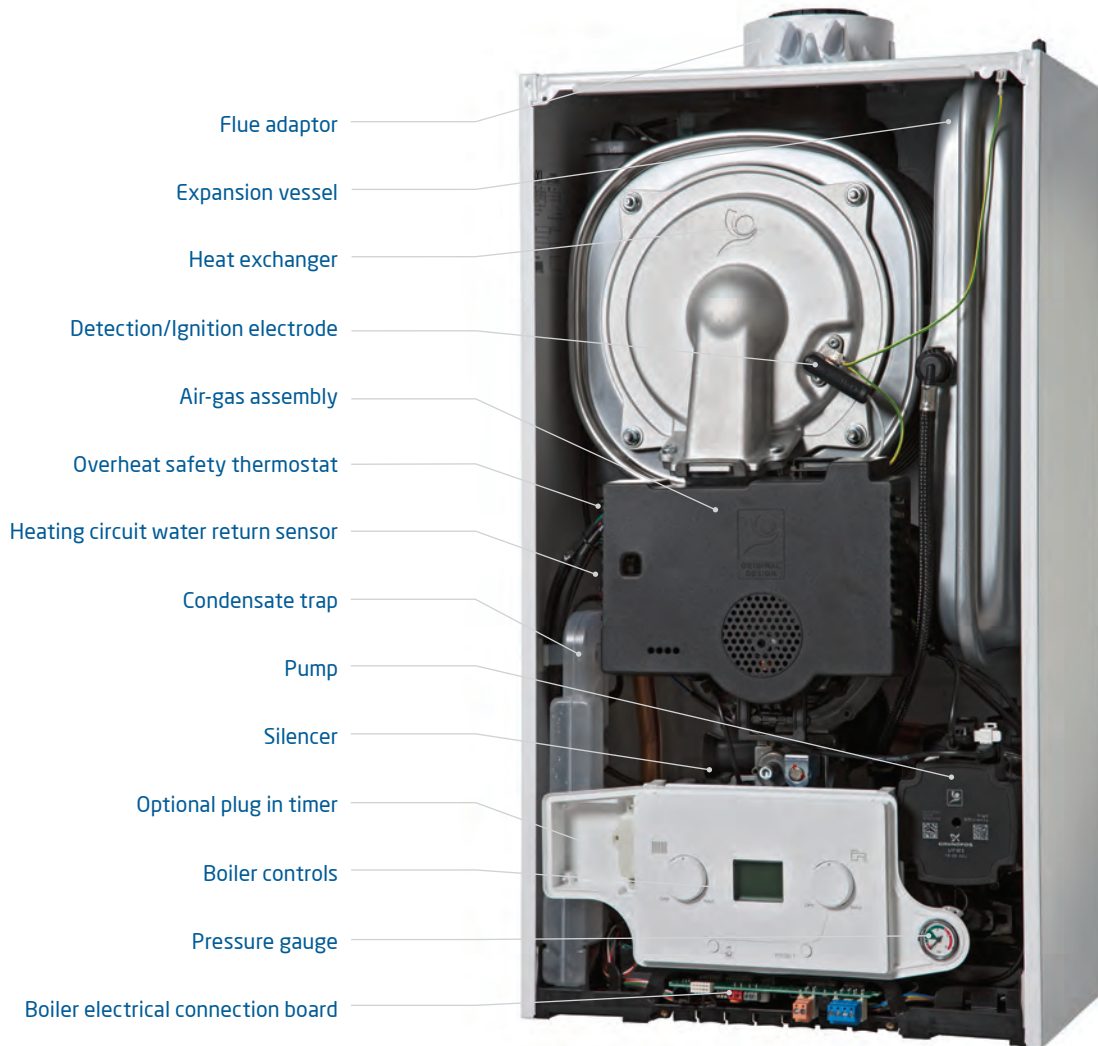
Baxi 400 Combi

28 Combi LPG

Baxi sales code	Boiler only	7676760
Heat Merchants code		U12097
Accessories and controls		
Concealed user controls		X
Operating mode selector switch with reset		✓
User adjustable DHW temperature	Range - 35°C to 60°C	✓
User adjustable CH temperature	Range - 25°C to 80°C	✓
Temp/status/fault diagnosis display		LCD display
Integral 24 hr electro-mechanical timer (247206)		Optional
Plug-in 24 hr mechanical timer combi (7658276)		Optional
Plug-in 7 day digital timer combi (7658523)		Optional
Plug-in receiver 24 hr RF programmable mechanical room thermostat-combi (7658781)		Optional
Plug-in receiver 7 day RF digital programmable mechanical room thermostat-combi (7658789)		Optional
Single channel 7 day wired programmable room thermostat-combi (7212438)		Optional
Single channel wired timer (7212444)		Optional
Room thermostat (720971601)		Optional
Baxi 200 and 400 stand off kit (7659335)		Optional
Baxi IFOS (7683084)		Optional
ErP Product Information		
Seasonal Space Heating Energy Efficiency	%	93
NOx	mg/kWh	40
Sound power level, indoors	LWA dB	50
Space heating efficiency class		A
Water heating declared load profile		XL
Water heating efficiency class		A
Heat input CH	kW (Max) Gross (QnHs)	27.42
	kW (Min) Gross (QnHs)	5.44
Heat output CH (non condensing) factory setting	kW (Max) (Pn)	20
	kW (Min) (Pn)	4.8
Heat output CH (condensing) factory setting	kW (Max) (Pnc)	21.8
	kW (Min) (Pnc)	5.2
Gas		
Gas supply connection	(mm)	22
Inlet supply pressure (natural gas)	mbar (nominal)	20
Maximum Gas Rate (nat Gas after 10 mins)	m ³ /hr	3.06
SAP 2009 annual efficiency (PCDB / SEDBUK)	%	89
NOx class		6
Mechanical and hydraulic		
Heat input domestic hot water (DHW)	kW max gross (QnWHs)	32.1
Heat output domestic hot water	kW max	28
Maximum DHW flow rate (Delta T @ 35°C max)	l/min	11.5
Minimum DHW flow rate required	l/min	2
Minimum operating DHW pressure required	bar	0.15
Maximum DHW system pressure	bar	8
Safety discharge pressure	bar	3
Compartment ventilation required		X
Flow/return pipe size	(mm)	22
Filling loop supplied		✓
Integral expansion vessel	Size (litres)	7
CH system inhibitor required		✓
Condensate discharge pipe size	(mm)	21.5
Electrical		
Electrical supply	Volts/Hz	230V/50Hz
Permanent live required		✓
Electrical cable required	core	3 x 0.75
Power consumption when firing	Watts	94
External fuse rating	Amps	3
Internal fuse rating - connection board	Amps	0.5
Internal fuse rating - Main PCB board	Amps	1.6
Boiler IP rating (electrical protection) without integral timer fitted	Approval Category	IPX5D
Circulating pump exercise feature		✓
Pump overrun		✓
Integral 'boiler only' frost thermostat		✓
Concentric flue system		
Standard telescopic concentric flue	Length in mm	315-500
Horizontal and Vertical concentric (60/100mm)	Max equivalent length (m)	10
	Reduction Per 135° bend (m)	0.5
	Reduction Per 93° bend (m)	1
Horizontal and Vertical concentric (80/125mm)	Max equivalent length (m)	20
Weights		
Installer lift weight (boiler)	Max (kg)	26
Gross packaged boiler weight	(kg)	30.5

What's inside the boiler?

Baxi 400 Combi LPG



HOW WE MAKE IT EASY

Telescopic horizontal flue option is quick and easy to fit.

Flues

Horizontal concentric flues Ø 60/100mm

Multifit flue group A

Item description	Colour	Specification	Key and OD dimensions	Baxi sales code	Heat Merchants code
1 Horizontal telescopic flue inc. low profile elbow and fixing screws	White pipe/white terminal	315mm - 500mm	100mm	720599401	U33815
2 Horizontal telescopic flue inc. low profile elbow and fixing screws	White pipe/black terminal	315mm - 500mm	100mm	720598701	U33814
3 1m flue extension inc. fixing screws	White	1000mm	100mm	720648801	U33816
4 93° flue bend inc. fixing screws	White	93°	100mm	720648401	U33821
5 135° flue bend inc. fixing screws (pair)	White	135°	100mm	720647901	U33820
6 Standard horizontal flue inc. low profile elbow and fixing screws	White pipe/black terminal	685mm	100mm	7222019	U72536

Plume displacement kits Ø 60/100mm

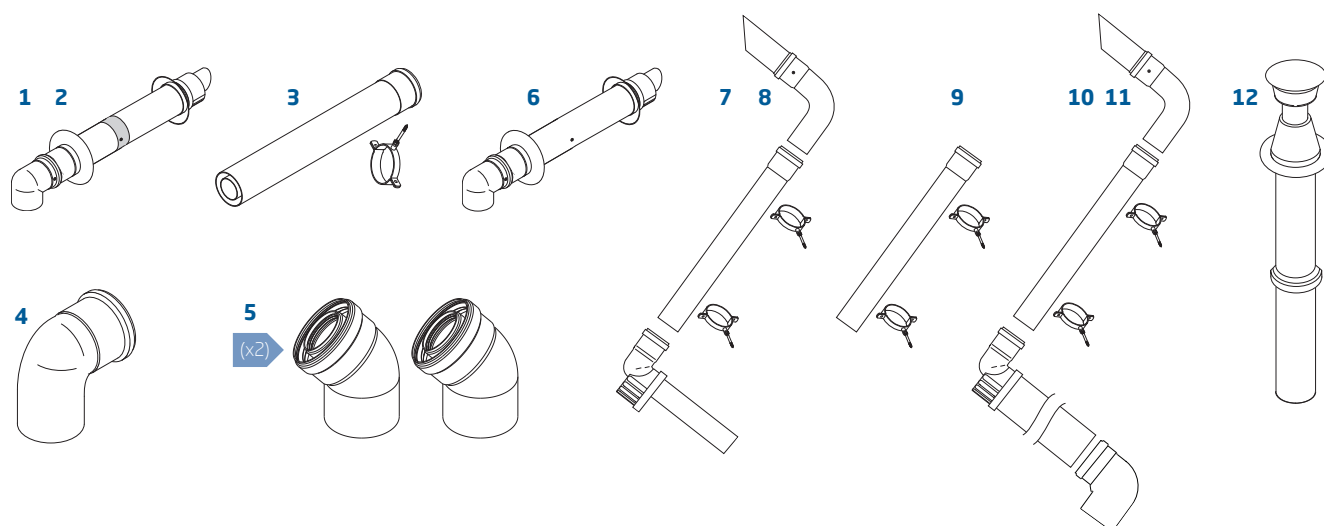
Multifit flue group A

Item description	Colour	Specification	Key and OD dimensions	Baxi sales code	Heat Merchants code
7 Plume displacement terminal kit for telescopic flue inc 1m extension and brackets	White		60mm	720627001	U33830
8 Plume displacement terminal kit for telescopic flue inc 1m extension and brackets	Black		60mm	720622901	U33834
9 Plume displacement kit extension and brackets	White	1000mm	60mm	720643401	U33831
10 Plume displacement terminal kit inc. 1m extension and brackets	White		60mm	7225717	U33830
11 Plume displacement terminal kit inc. 1m extension and brackets	Black		60mm	7225716	U33834

Vertical concentric flues Ø 60/100mm

Multifit flue group A

Item description	Colour	Specification	Key and OD dimensions	Baxi sales code	Heat Merchants code
12 Vertical flue terminal	Black		100mm	5118576	119903
3 1m flue extension inc. fixing screws	White	1000mm	100mm	720648801	U33816
4 93° flue bend inc. fixing screws	White	93°	100mm	720648401	U33821
5 135° flue bend inc. fixing screws (pair)	White	135°	100mm	720647901	U33820





Feature

Outputs: 15kW, 18kW and 24kW

7 Year warranty*

Compact cupboard fit

Pipes behind facility within boiler casing

Lightweight

Fully modulating and highly efficient

Ease of service

Front access to all components

Brass hydraulics block

Central top flue

Extensive flue options up to 20 metres

Benefit

To suit most property sizes

For extra peace of mind

Can be installed in a 290mm deep cupboard

Save time, space and money by piping behind within the footprint of the appliance

28.1kg lift weight

Boiler intelligently uses the right amount of fuel to meet the set central heating temperatures, saving money on fuel bills

No special tools or replacement seals required for standard service

Saves time when servicing

Trusted and robust

For easy replacement

Allowing greater flexibility of siting and easy replacement



Baxi 600 System

With its pipes behind facility and compact size, the Baxi 600 System boiler fits neatly in a standard kitchen cupboard. Installed with an unvented cylinder on a fully pumped sealed system, it is perfect for larger properties with several bathrooms or those with a high demand for hot water.

Accessories and controls

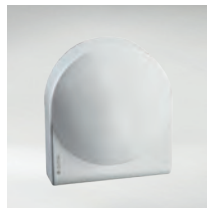
The following accessories are compatible with the Baxi 600 System



7211473
Potterton EP
series 2



7212443
Twin channel
wired programmer



7683087
Multifit wired
outdoor
sensor-system



720971601
Baxi wired room
thermostat

Technical specifications

HOW WE MAKE IT EASY

Easy to manoeuvre at only 28.1kg.



Boiler dimensions

Width [A]	Height [B]	Depth [C]
390mm	700mm	285mm

Service clearances

Side [D]	Upper [E]	Lower [F]	Front [G]
5mm*	178mm*	200mm*	5mm in operation,* (* 450mm for servicing purposes)

*These are the minimum recommended dimensions. Greater clearance will aid installation and maintenance.



What's in the box?



Baxi 600 System boiler



Wall mounted bracket



Literature and fitting pack



Copper pipe tails

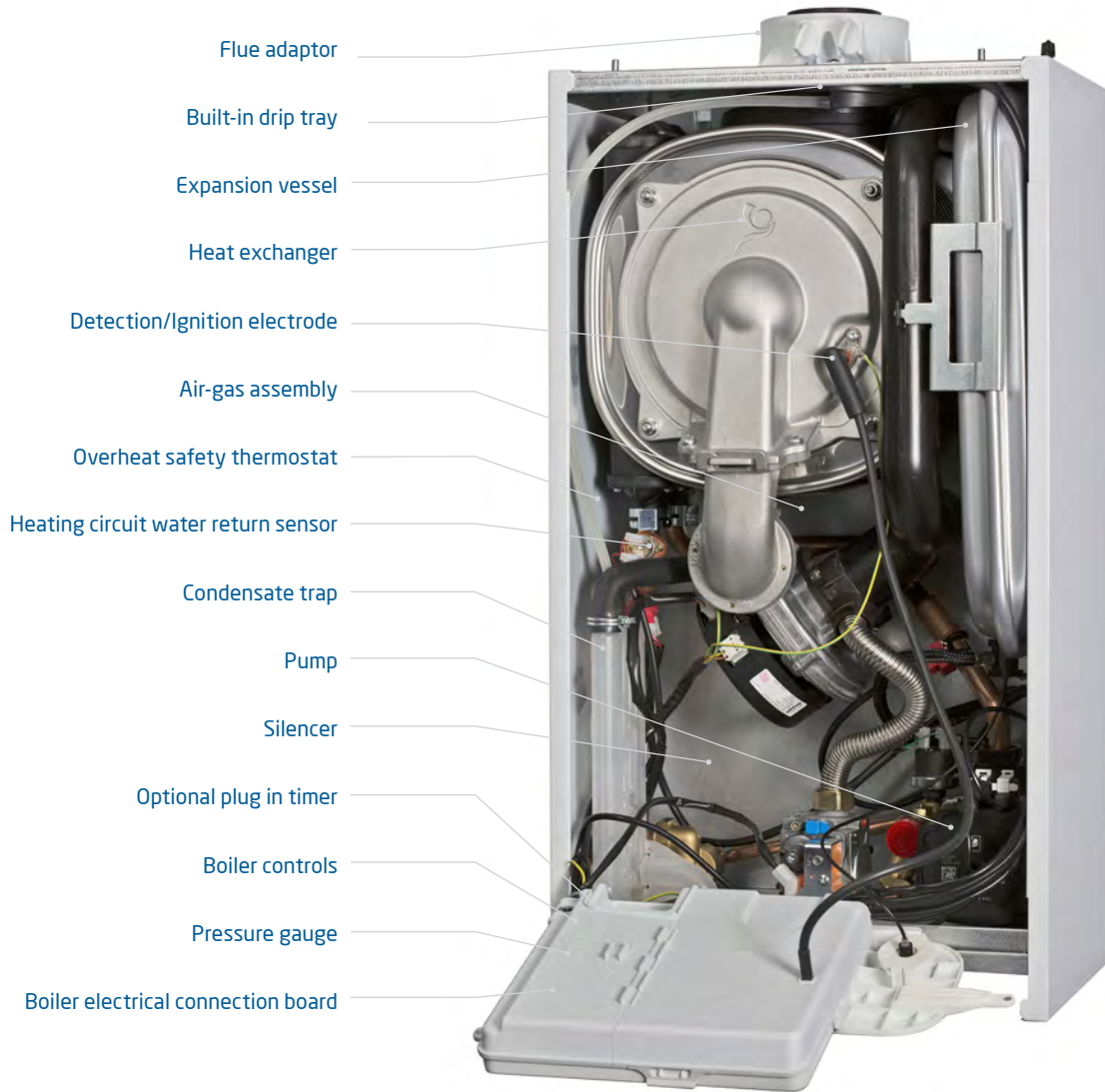
Technical details

Baxi 600 System

		15 System	18 System	24 System
Baxi sales code	Boiler only	7682196	7716064	7716061
Heat Merchants code		U17943	U17944	U17945
Accessories and controls				
Concealed user controls		✓	✓	✓
Operating mode selector switch with reset		✓	✓	✓
User adjustable DHW temperature	Range - 35°C to 60°C	✓	✓	✓
User adjustable CH temperature	Range - 25°C to 80°C	✓	✓	✓
Temp/status/fault diagnosis display		LCD display	LCD display	LCD display
Wired outdoor weather sensor & relay kit (7683087)		Optional	Optional	Optional
Baxi wired room thermostat (720971601)		Optional	Optional	Optional
Baxi twin channel wired programmer (7212443)		Optional	Optional	Optional
Multifit rear pipework kit (7682790)		Optional	Optional	Optional
Pre-plumb jig (7682545)		Optional	Optional	Optional
ErP Product Information				
Seasonal Space Heating Energy Efficiency	%	93	93	93
NOx	mg/kWh	29.0	30.0	28.0
Sound power level, indoors	LWA dB	46	48	51
Space heating efficiency class		A	A	A
Heat input CH	kW (Max) Gross (QnHs)	17.2	20.6	27.4
	kW (Min) Gross (QnHs)	5.2	5.2	5.2
Heat output CH (non condensing) factory setting	kW (Max) (Pn)	15	18	24
	kW (Min) (Pn)	4.5	4.5	4.5
Heat output CH (condensing) factory setting	kW (Max) (Pnc)	16.2	19.4	25.8
	kW (Min) (Pnc)	4.9	4.9	4.9
Gas				
Gas supply connection	(mm)	22	22	22
Inlet supply pressure (natural gas)	mbar (nominal)	20	20	20
Maximum Gas Rate (nat Gas after 10 mins)	m ³ /hr	1.64	1.96	2.61
SAP 2009 annual efficiency (PCDB / SEDBUK)	%	89	89	89
NOx class		6	6	6
Mechanical and hydraulic				
Heat input central heating (CH)	kW max gross (QnHs)	17.2	20.6	27.4
Safety discharge pressure	bar	3	3	3
Compartment ventilation required		✓	✓	✓
Flow/return pipe size	(mm)	22	22	22
Temporary filling loop supplied		✓	✓	✓
Integral expansion vessel	Size (litres)	7	7	7
CH system inhibitor required		✓	✓	✓
Condensate discharge pipe size	(mm)	21.5	21.5	21.5
Electrical				
Electrical supply	Volts/Hz	230V/50Hz	230V/50Hz	230V/50Hz
Permanent live required		✓	✓	✓
Electrical cable required	core	3 x 0.75	3 x 0.75	3 x 0.75
Power consumption when firing	Watts	65	70	100
External fuse rating	Amps	3	3	3
Internal fuse rating - connection board	Amps	F2HA250V	F2HA250V	F2HA250V
Internal fuse rating - Main PCB board	Amps	1.6	1.6	1.6
Boiler IP rating (electrical protection)	Approval Category	IPX5D	IPX5D	IPX5D
Circulating pump exercise feature		✓	✓	✓
Pump overrun		✓	✓	✓
Integral 'boiler only' frost thermostat		✓	✓	✓
Concentric flue system				
Standard telescopic concentric flue	Length in mm	315-500	315-500	315-500
Horizontal and Vertical concentric (60/100mm)	Max equivalent length (m)	10	10	10
	Reduction Per 135° bend (m)	0.5	0.5	0.5
	Reduction Per 93° bend (m)	1	1	1
Horizontal and Vertical concentric (80/125mm)	Max equivalent length (m)	20	20	20
Weights				
Installer lift weight (boiler)	Max (kg)	28.1	28.1	28.1
Gross packaged boiler weight	(kg)	30.6	30.6	30.6

What's inside the boiler?

Baxi 600 System



HOW WE MAKE IT EASY

**An industry-leading
choice of flues.**

Flues

Horizontal concentric flues Ø 60/100mm

Multifit flue group A

Item description	Colour	Specification	Key and OD dimensions	Baxi sales code	Heat Merchants code
1 Horizontal telescopic flue inc. low profile elbow and fixing screws	White pipe/white terminal	315mm - 500mm	100mm	720599401	U33815
2 Horizontal telescopic flue inc. low profile elbow and fixing screws	White pipe/black terminal	315mm - 500mm	100mm	720598701	U33814
3 1m flue extension inc. fixing screws	White	1000mm	100mm	720648801	U33816
4 93° flue bend inc. fixing screws	White	93°	100mm	720648401	U33821
5 135° flue bend inc. fixing screws (pair)	White	135°	100mm	720647901	U33820
6 Standard horizontal flue inc. low profile elbow and fixing screws	White pipe/black terminal	685mm	100mm	7222019	U72536

Plume displacement kits Ø 60/100mm

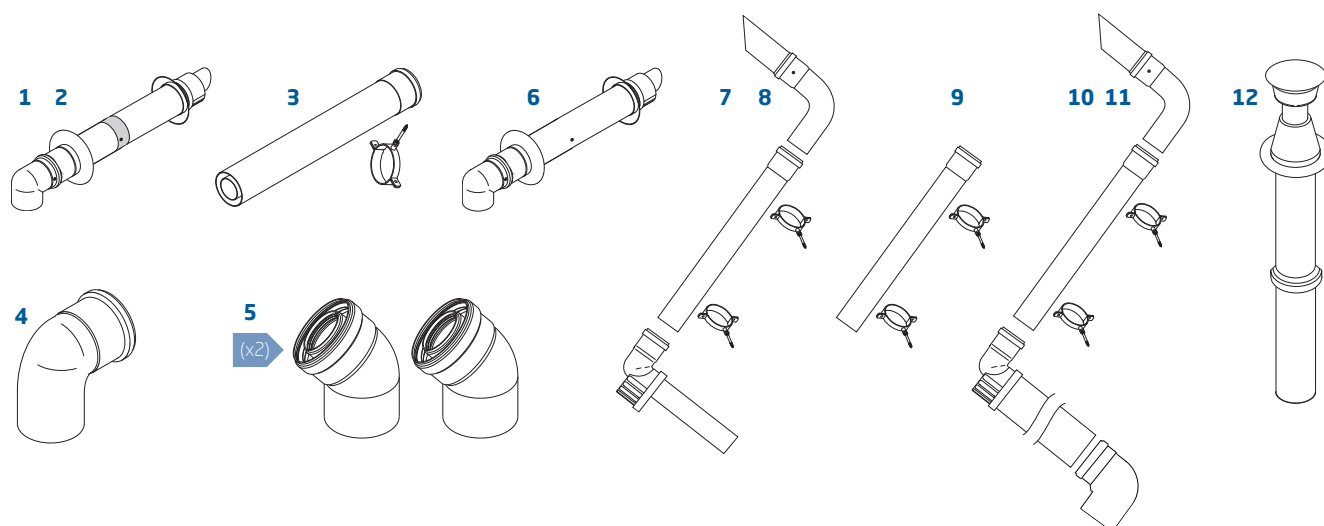
Multifit flue group A

Item description	Colour	Specification	Key and OD dimensions	Baxi sales code	Heat Merchants code
7 Plume displacement terminal kit for telescopic flue inc 1m extension and brackets	White		60mm	720627001	U33830
8 Plume displacement terminal kit for telescopic flue inc 1m extension and brackets	Black		60mm	720622901	U33834
9 Plume displacement kit extension and brackets	White	1000mm	60mm	720643401	U33831
10 Plume displacement terminal kit inc. 1m extension and brackets	White		60mm	7225717	U33830
11 Plume displacement terminal kit inc. 1m extension and brackets	Black		60mm	7225716	U33834

Vertical concentric flues Ø 60/100mm

Multifit flue group A

Item description	Colour	Specification	Key and OD dimensions	Baxi sales code	Heat Merchants code
12 Vertical flue terminal	Black		100mm	5118576	119903
3 1m flue extension inc. fixing screws	White	1000mm	100mm	720648801	U33816
4 93° flue bend inc. fixing screws	White	93°	100mm	720648401	U33821
5 135° flue bend inc. fixing screws (pair)	White	135°	100mm	720647901	U33820





Feature

Outputs: 24kW

7 Year warranty*

Compact cupboard fit

Pipes behind facility within boiler casing

Lightweight

Fully modulating and highly efficient

Ease of service

Front access to all components

Brass hydraulics block

Central top flue

Extensive flue options up to 20 metres

Benefit

Suitable for most properties

For extra peace of mind

Can be installed in a 290mm deep cupboard

Save time, space and money by piping behind within the footprint of the appliance

28.1kg lift weight

Boiler intelligently uses the right amount of fuel to meet the set central heating temperatures, saving money on fuel bills

No special tools or replacement seals required for standard service

Saves time when servicing

Trusted and robust

For easy replacement

Allowing greater flexibility of siting and easy replacement



Baxi 600 System LPG

The Baxi 600 System LPG offers an energy efficient solution for properties that are off the mains gas network. Its brass hydraulics, pipes behind facility, ease of installation and servicing and seven year warranty make it a firm favourite with both installers and householders.

Accessories and controls

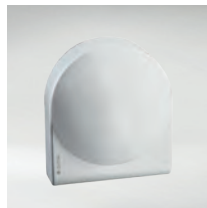
The following accessories are compatible with the Baxi 600 System



7211473
Potterton EP
series 2



7212443
Twin channel
wired programmer



7683087
Multifit wired
outdoor
sensor-system



720971601
Baxi wired room
thermostat

Technical specifications

HOW WE MAKE IT EASY

Easy to manoeuvre at only 28.1kg.



Boiler dimensions

Width [A]	Height [B]	Depth [C]
390mm	700mm	285mm

Service clearances

Side [D]	Upper [E]	Lower [F]	Front [G]
5mm*	178mm*	200mm*	5mm in operation*, (* 450mm for servicing purposes)

*These are the minimum recommended dimensions. Greater clearance will aid installation and maintenance.



What's in the box?



Baxi 600 System boiler



Wall mounted bracket



Literature and fitting pack



Copper pipe tails

Technical details

Baxi 600 System LPG

24 System LPG

Baxi sales code	Boiler only	7716065
Heat merchants code		U17946
Accessories and controls		
Concealed user controls		X
Operating mode selector switch with reset		✓
User adjustable DHW temperature	Range - 35°C to 60°C	✓
User adjustable CH temperature	Range - 25°C to 80°C	✓
Temp/status/fault diagnosis display		LCD display
Wired outdoor weather sensor & relay kit (7683087)		Optional
Baxi wired room thermostat (720971601)		Optional
Baxi twin channel wired programmer (7212443)		Optional
Multifit rear pipework kit (7682790)		Optional
Pre-plumb jig (7682545)		Optional

ErP Product Information

Seasonal Space Heating Energy Efficiency	%	93
NOx	mg/kWh	28.0
Sound power level, indoors	LWA dB	51
Space heating efficiency class		A
Heat input CH	kW (Max) Gross (QnHs)	27.4
	kW (Min) Gross (QnHs)	5.2
Heat output CH (non condensing) factory setting	kW (Max) (Pn)	24
	kW (Min) (Pn)	4.5
Heat output CH (condensing) factory setting	kW (Max) (Pnc)	25.8
	kW (Min) (Pnc)	4.9

Gas

Gas supply connection	(mm)	22
Inlet supply pressure (LPG)	mbar (nominal)	37
Maximum Gas Rate	m ³ /hr	4.95
SAP 2009 annual efficiency (PCDB / SEDBUK)	%	89
NOx class		6

Mechanical and hydraulic

Heat input central heating (CH)	kW max gross (QnWHS)	27.4
Safety discharge pressure	bar	3
Compartment ventilation required		X
Flow/return pipe size	(mm)	22
Temporary filling loop supplied		X
Integral expansion vessel	Size (litres)	7
CH system inhibitor required		✓
Condensate discharge pipe size	(mm)	21.5

Electrical

Electrical supply	Volts/Hz	230V/50Hz
Permanent live required		✓
Electrical cable required	core	3 x 0.75
Power consumption when firing	Watts	100
External fuse rating	Amps	3
Internal fuse rating - connection board	Amps	2HA250V
Internal fuse rating - Main PCB board	Amps	1.6
Boiler IP rating (electrical protection) without integral timer fitted	Approval Category	IPX5D
Circulating pump exercise feature		✓
Pump overrun		✓
Integral 'boiler only' frost thermostat		✓

Concentric flue system

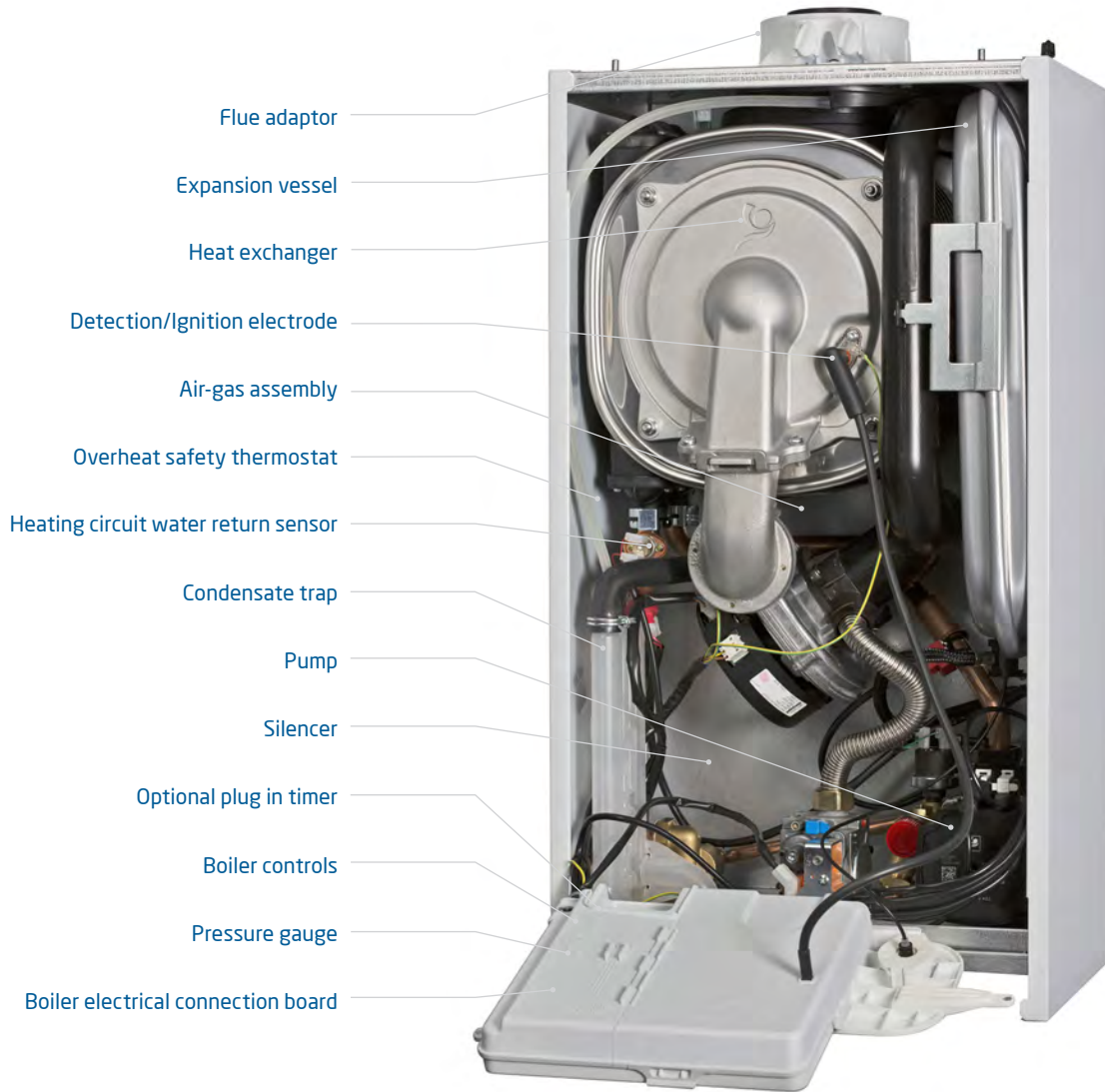
Standard telescopic concentric flue	Length in mm	315-500
Horizontal and Vertical concentric (60/100mm)	Max equivalent length (m)	10
	Reduction Per 135° bend (m)	0.5
	Reduction Per 93° bend (m)	1
Horizontal and Vertical concentric (80/125mm)	Max equivalent length (m)	20

Weights

Installer lift weight (boiler)	Max (kg)	28.1
Gross packaged boiler weight	(kg)	30.6

What's inside the boiler?

Baxi 600 System LPG



HOW WE MAKE IT EASY

**An industry-leading
choice of flues.**

Flues

Horizontal concentric flues Ø 60/100mm

Multifit flue group A

Item description	Colour	Specification	Key and OD dimensions	Baxi sales code	Heat Merchants code
1 Horizontal telescopic flue inc. low profile elbow and fixing screws	White pipe/white terminal	315mm - 500mm	100mm	720599401	U33815
2 Horizontal telescopic flue inc. low profile elbow and fixing screws	White pipe/black terminal	315mm - 500mm	100mm	720598701	U33814
3 1m flue extension inc. fixing screws	White	1000mm	100mm	720648801	U33816
4 93° flue bend inc. fixing screws	White	93°	100mm	720648401	U33821
5 135° flue bend inc. fixing screws (pair)	White	135°	100mm	720647901	U33820
6 Standard horizontal flue inc. low profile elbow and fixing screws	White pipe/black terminal	685mm	100mm	7222019	U72536

Plume displacement kits Ø 60/100mm

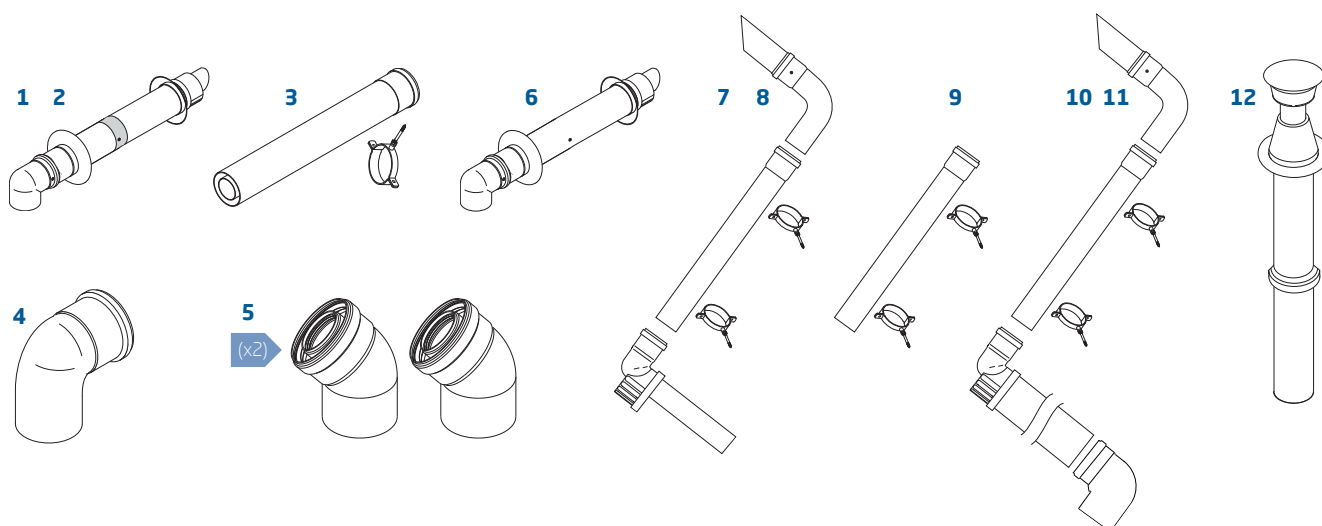
Multifit flue group A

Item description	Colour	Specification	Key and OD dimensions	Baxi sales code	Heat Merchants code
7 Plume displacement terminal kit for telescopic flue inc 1m extension and brackets	White		60mm	720627001	U33830
8 Plume displacement terminal kit for telescopic flue inc 1m extension and brackets	Black		60mm	720622901	U33834
9 Plume displacement kit extension and brackets	White	1000mm	60mm	720643401	U33831
10 Plume displacement terminal kit inc. 1m extension and brackets	White		60mm	7225717	U33830
11 Plume displacement terminal kit inc. 1m extension and brackets	Black		60mm	7225716	U33834

Vertical concentric flues Ø 60/100mm

Multifit flue group A

Item description	Colour	Specification	Key and OD dimensions	Baxi sales code	Heat Merchants code
12 Vertical flue terminal	Black		100mm	5118576	119903
3 1m flue extension inc. fixing screws	White	1000mm	100mm	720648801	U33816
4 93° flue bend inc. fixing screws	White	93°	100mm	720648401	U33821
5 135° flue bend inc. fixing screws (pair)	White	135°	100mm	720647901	U33820





Key features

Outputs: 15kW, 18kW, 24kW, 28kW and 32kW

Pre-plumbing jig

Built-in frost thermostat

Integral automatic bypass

Compatible with Multifit flue kits

Compatible with the market-leading Megaflo cylinders

Suitable for use with Baxi Solarflo solar thermal

Benefits

To suit most property sizes

Easy to install and maintain

Suitable for siting in garages and lofts

Suitable for systems with TVRs on every radiator

Industry-leading choice of lengths, bends, accessories

Made by our sister company Heatrae Sadia

Hot water from solar energy reduces energy bills

* Subject to registration and an annual service. Terms and conditions apply. Visit baxi.co.uk/warranty



*I regularly install the Megaflo boiler.
It is a great boiler, easy to work on
and good value for money.*

Jack Sowden
Royston Engineering

Baxi Megaflo System

Designed for fully pumped sealed systems, the Baxi Megaflo System can be installed with an unvented cylinder. It will satisfy the hot water and heating requirements of most homes, including larger properties with more than one bathroom.

Accessories

The following accessories are compatible with the Baxi Megaflo System



95050460
Megaflo Eco
unvented cylinder



7212443
Baxi twin channel
wired programmer

Technical specifications

HOW WE MAKE IT EASY

Front access to all components makes servicing simple.



Boiler dimensions

Width [A]	Height [B]	Depth [C]
450mm	780mm	345mm

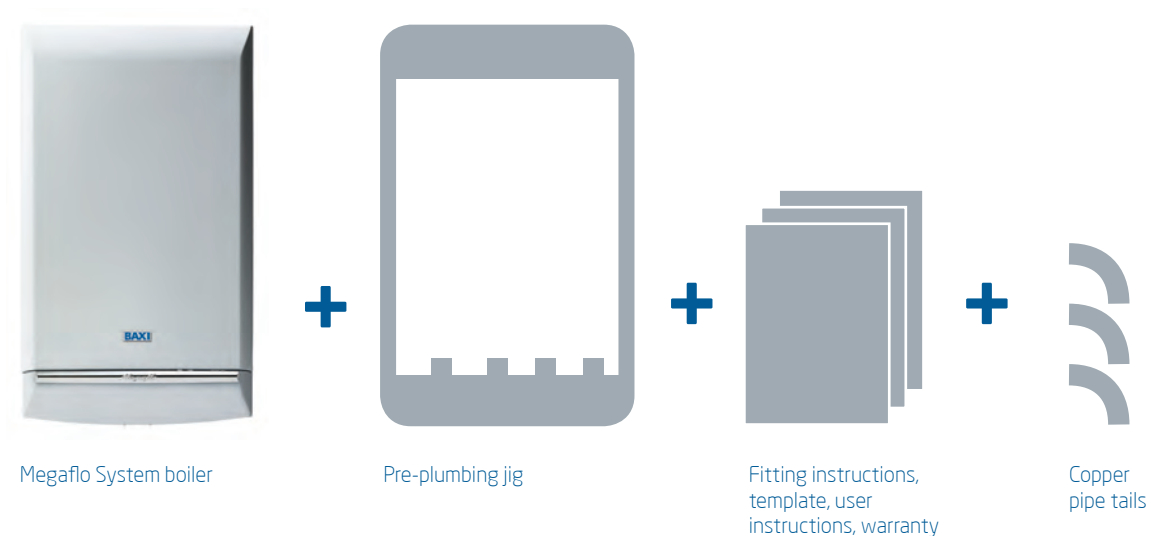
Service clearances

Side [D]	Upper [E]	Lower [F]	Front [G]
5mm*	200mm* (* 300mm if using 80/125 flueing system)	150mm*	5mm in operation* (* 450mm for servicing purposes)

*These are the minimum recommended dimensions. Greater clearance will aid installation and maintenance.



What's in the box?



Megaflo System boiler

Pre-plumbing jig

Fitting instructions, template, user instructions, warranty

Copper pipe tails

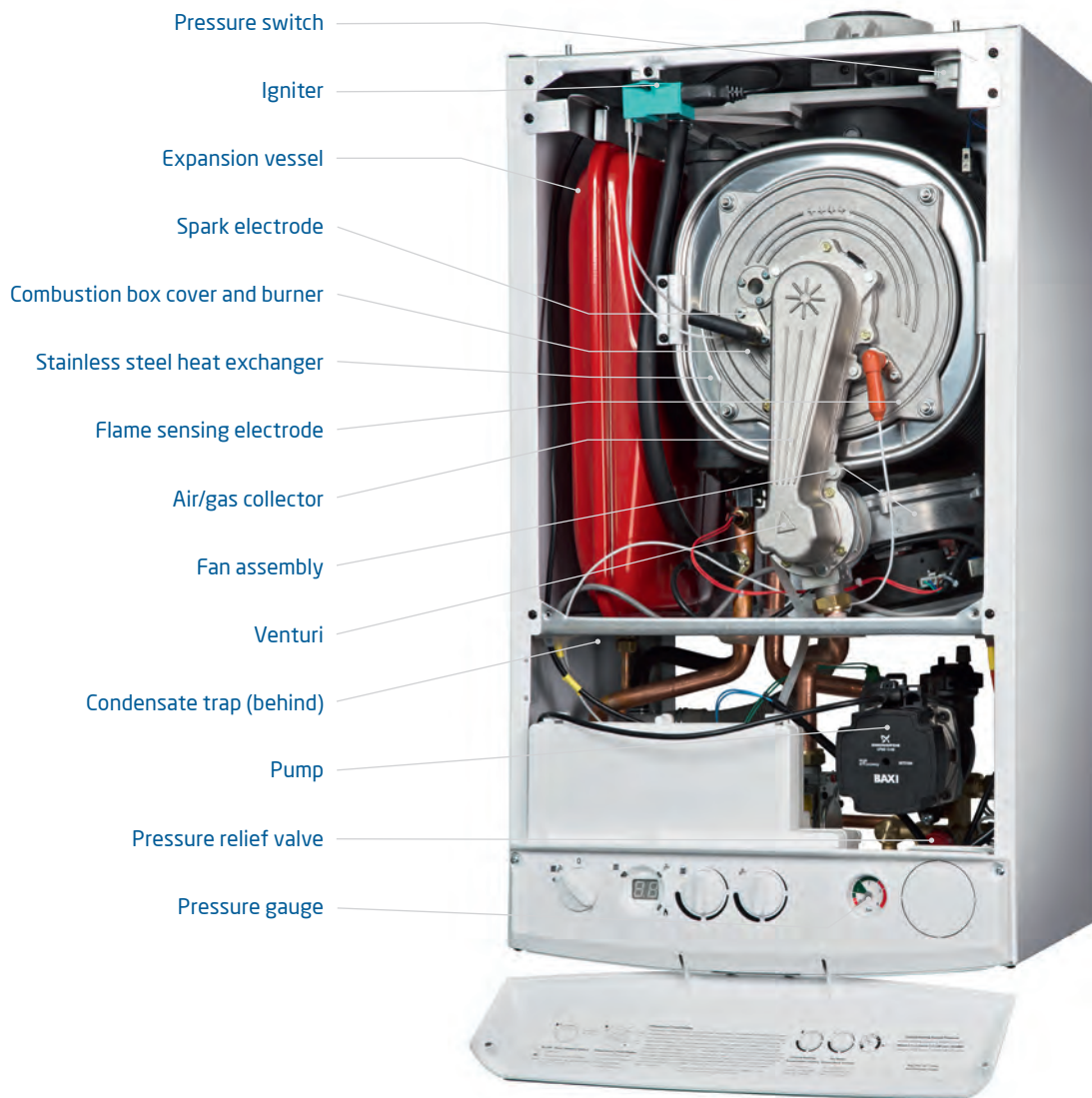
Technical details

Baxi Megaflo System ErP

		15 System (Sealed or Semi Sealed)	18 System (Sealed or Semi Sealed)	24 System (Sealed or Semi Sealed)	28 System (Sealed)	32 System (Sealed)
Baxi sales code	Boiler only	7222688	7222692	7222693	7219447	7219448
Heat Merchants code		U72045	U72046	U72047	U72048	U72049
Controls						
Concealed user controls		✓	✓	✓	✓	✓
On/off switch with reset		✓	✓	✓	✓	✓
User adjustable CH temperature		✓	✓	✓	✓	✓
LED temp/status/fault diagnosis display		2 digits/3 LEDs on all models				
Gas						
Gas supply connection	mm	22	22	22	22	22
Natural gas		✓	✓	✓	✓	✓
Nominal inlet supply pressure	mbar	20	20	20	20	20
Maximum gas rate NG	m ³ /hr	1.69	1.95	2.61	3.1	3.48
Heat input central heating	kW max gross (QnHs)	17.1	20.5	27.4	32.1	36.4
	kW min gross (QnHs)	4.4	4.8	7.8	10.8	10.8
Heat output CH non condensing	kW max (Pn)	15	18	24	28	32
	kW min (Pn)	3.9	4.2	6.8	9.4	9.4
Heat output CH condensing	kW max (Pnc)	16.2	19.4	25.9	30.3	34.4
	kW min (Pnc)	4.2	4.5	7.4	10.2	10.2
Boiler Plus ErP	%	92.0	92.0	92.0	92.0	92.0
SAP 2009 Annual Efficiency (PCDB/SEDBUK)	%	88.6	88.6	88.6	88.5	88.5
NOx class		6	6	6	6	6
ErP Product Information						
NOx	mg/kWh	25	29	20	20	24
Sound power level, indoors	LWA dB	52	53	58	53	54
Space heating efficiency class		A	A	A	A	A
Electrical						
Electrical supply	Volts/Hz	230V/50Hz	230V/50Hz	230V/50Hz	230V/50Hz	230V/50Hz
Permanent live required		✓	✓	✓	✓	✓
Fitted electrical cable		1m x 3 core x 0.75mm ² on all models				
Power consumption	Watts	130	140	150	160	160
External fuse rating	Amps	3	3	3	3	3
Internal fuse rating	Amps	F2L	F2L	F2L	F2L	F2L
Ingress protection rating (without electro-mechanical timer fitted)		IPX 5D	IPX 5D	IPX 5D	IPX 5D	IPX 5D
24 hour pump exercise		✓	✓	✓	✓	✓
Pump overrun		✓	✓	✓	✓	✓
Integral 'boiler only' frost thermostat		✓	✓	✓	✓	✓
Mechanical and hydraulic						
Compartment ventilation requirement		None	None	None	None	None
Pre-plumbing/wall mounting jig		✓	✓	✓	✓	✓
Flow and return pipe size	mm	22	22	22	22	22
Condensate discharge pipe size	mm	21.5	21.5	21.5	21.5	21.5
Integral automatic bypass		✓	✓	✓	✓	✓
Min Operating Pressure	bar	0.2	0.2	0.2	0.5	0.5
Safety discharge pressure	bar	3	3	3	3	3
Integral expansion vessel	litres	8	8	8	10	10
Max capacity of central heating system	litres	125	125	125	125	125
CH system inhibitor required		✓	✓	✓	✓	✓
Concentric Flue System						
Standard telescopic horizontal flue kit length	mm	315 - 500	315 - 500	315 - 500	315 - 500	315 - 500
Max equiv length horizontal/vertical (60/100mm)	m	10	10	10	10	10
Max equiv length horizontal/vertical (80/125mm)	m	20	20	20	20	20
Equivalent length per 135° bend	m	0.5	0.5	0.5	0.5	0.5
Equivalent length per 93° bend	m	1	1	1	1	1
Weights						
Installer lift weight (boiler) (max)	kg	36.4	36.4	37.9	37.9	38.4
Gross packaged boiler weight	kg	41.5	41.5	43	43	43.5

What's inside the boiler?

Baxi Megaflo System



HOW WE MAKE IT EASY

Telescopic horizontal flue option is quick and easy to fit.

Flues

Horizontal concentric flues Ø 60/100mm

Multifit flue group A

Item description	Colour	Specification	Key and OD dimensions	Baxi sales code	Heat Merchants code
1 Horizontal telescopic flue inc. low profile elbow and fixing screws	White pipe/white terminal	315mm - 500mm	100mm	720599401	U33815
2 Horizontal telescopic flue inc. low profile elbow and fixing screws	White pipe/black terminal	315mm - 500mm	100mm	720598701	U33814
3 1m flue extension inc. fixing screws	White	1000mm	100mm	720648801	U33816
4 93° flue bend inc. fixing screws	White	93°	100mm	720648401	U33821
5 135° flue bend inc. fixing screws (pair)	White	135°	100mm	720647901	U33820
6 Standard horizontal flue inc. low profile elbow and fixing screws	White pipe/black terminal	685mm	100mm	7222019	U72536

Plume displacement kits Ø 60/100mm

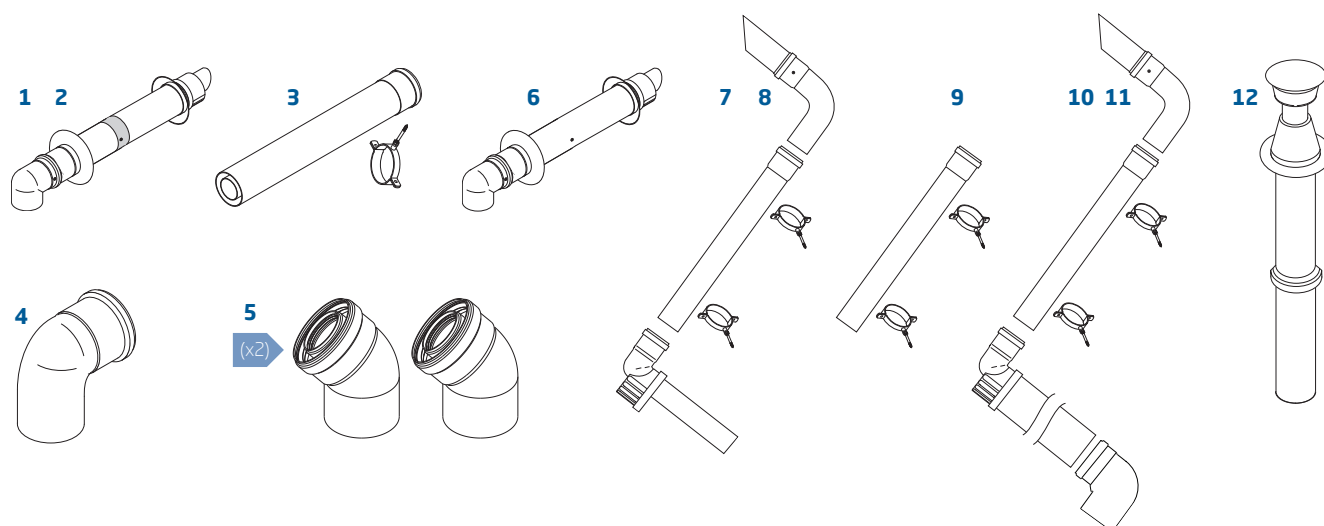
Multifit flue group A

Item description	Colour	Specification	Key and OD dimensions	Baxi sales code	Heat Merchants code
7 Plume displacement terminal kit for telescopic flue inc 1m extension and brackets	White		60mm	720627001	U33830
8 Plume displacement terminal kit for telescopic flue inc 1m extension and brackets	Black		60mm	720622901	U33834
9 Plume displacement kit extension and brackets	White	1000mm	60mm	720643401	U33831
10 Plume displacement terminal kit inc. 1m extension and brackets	White		60mm	7225717	U33830
11 Plume displacement terminal kit inc. 1m extension and brackets	Black		60mm	7225716	U33834

Vertical concentric flues Ø 60/100mm

Multifit flue group A

Item description	Colour	Specification	Key and OD dimensions	Baxi sales code	Heat Merchants code
12 Vertical flue terminal	Black		100mm	5118576	119903
3 1m flue extension inc. fixing screws	White	1000mm	100mm	720648801	U33816
4 93° flue bend inc. fixing screws	White	93°	100mm	720648401	U33821
5 135° flue bend inc. fixing screws (pair)	White	135°	100mm	720647901	U33820





Feature

Outputs 13kW, 16kW, 19kW, 25kW and 30kW

Only 17.5kg installer lift weight

Compact cupboard fit

No pump overrun or permanent live required

Suitable for fully pumped open vent or sealed systems

Very quiet in operation

Easy fit wall mounting bracket

Front and side access

Central top flue or in case rear flue option

Industry leading choice of flue lengths, bends and accessories

Central heating temperature control

Optional outdoor weather sensor available

Benefit

To suit most property sizes

The lightest boiler available in the UK**

Can be installed in a 290mm deep cupboard

Saves time and money during installation, and less disruption for the householder

For installation flexibility

Minimal disturbance during use

Robust with a positive fix and audible lock so you know it's secure

Servicing is easier and quicker, and no special tools are required

For reduced boiler footprint and improved look

Extensive flue option up to 12 meters for versatile siting and easy replacement

For ease of use maximising comfort

Enhances system control and customer comfort



The rear flue option on the Baxi 600 Heat made it the perfect choice when I had to replace an old balanced flue boiler. So light, an easy lift weight, compact and easy to use for both installer and customer. The homeowner was very pleased.

George Drake
Installer

Baxi 600 Heat

With an output to suit every size of home, top or rear flue option, no need for a pump overrun or permanent live and a lift weight of just 19.5 kg, this powerful boiler can be installed on open vent or sealed systems, making it the perfect choice for homes with a high demand for hot water.

Accessories and controls

The following accessories are compatible with the Baxi 600 Heat



7211473
Potterton EP
series 2



7212443
Twin channel
wired programmer

Technical specifications

HOW WE MAKE IT EASY

The lightest boiler available in the UK



Boiler dimensions

Width [A]	Height [B]	Depth [C]
370mm	625mm	270mm

Service clearances

Side [D]	Upper [E]	Lower [F]	Front [G]
5mm*	190mm*	120mm*	5mm*
	35mm* if using rear flue	35mm* in 300mm deep wall cupboard	in operation, 500mm* for servicing

*These are the minimum recommended dimensions. Greater clearance will aid installation and maintenance.



What's in the box?



Baxi 600 Heat Boiler



Wall bracket



Literature pack



Power lead



Top flue adaptor



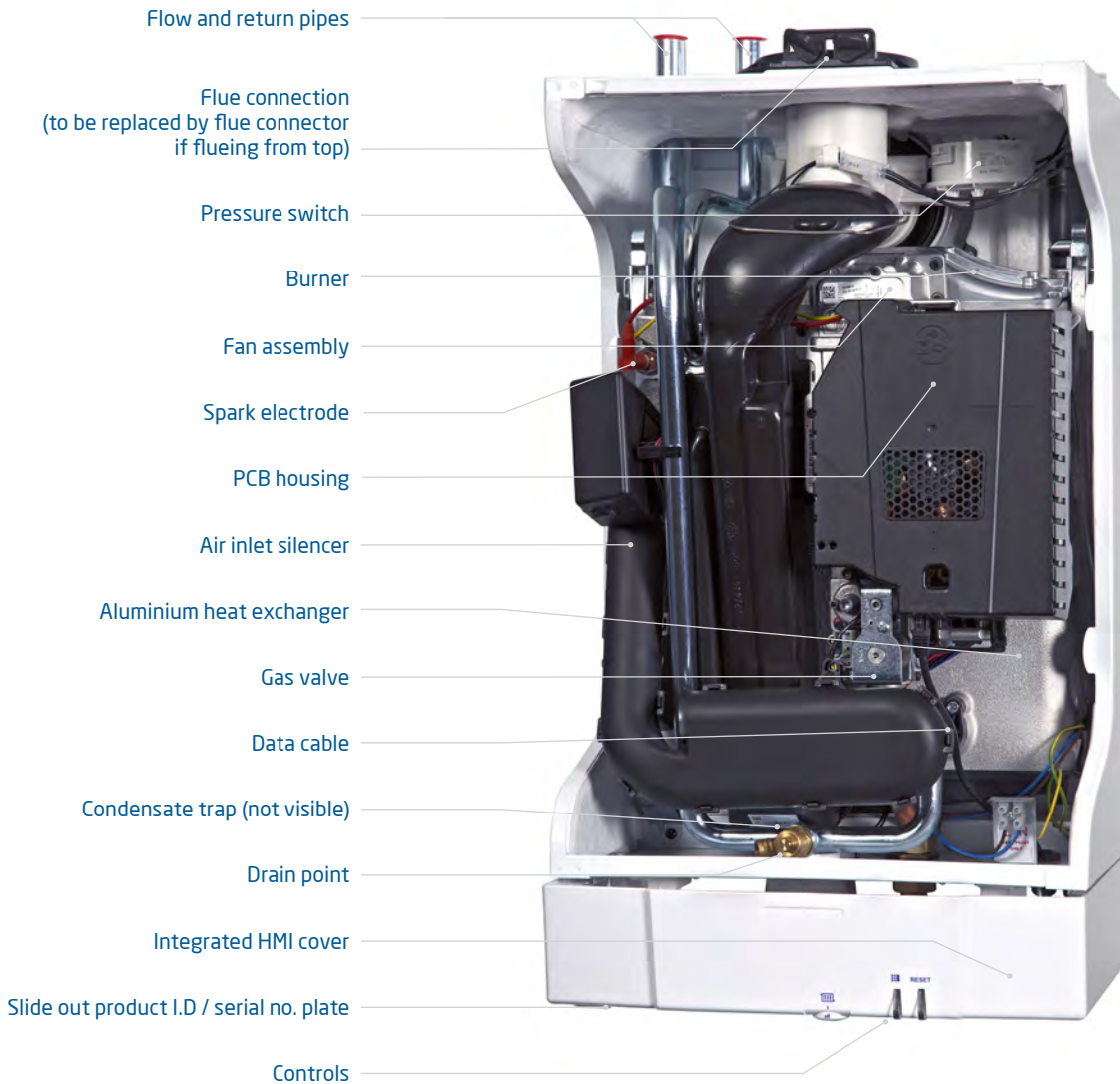
Copper tail (gas connection) and fibre washer

Technical details

Baxi 600 Heat		13 Heat	16 Heat	19 Heat	25 Heat	30 Heat
Baxi sales code	Boiler only	7711998	7711999	7712020	7712022	7712023
Heat Merchants code		U17952	U17953	U17954	U17955	U17956
Controls and accessories						
Operating mode selector switch with reset	Yes / no	✓	✓	✓	✓	✓
User adjustable CH temperature	Range - e.g. 45°C to 82°C	✓	✓	✓	✓	✓
LED temp/status/fault diagnosis display	Yes / no	✓	✓	✓	✓	✓
Baxi twin channel wired programmer	7212443	Optional	Optional	Optional	Optional	Optional
Baxi room thermostat	720971601	Optional	Optional	Optional	Optional	Optional
Gas						
Boiler Plus ErP	%	93.0	93.0	93.0	93.0	93.0
SAP 2009 annual efficiency (PCDB/SEDBUK)	%	89.2	89.2	89.2	89.1	89.1
NOx class	1 - 5	6	6	6	6	6
ErP Product Information						
NOx	mg/kWh	18	20	21	24	24
Sound power level, indoors	LWA dB	37	39	41	45	49
Space heating efficiency class		A	A	A	A	A
Heat input CH	kW max gross (QnHs)	14.88	18.32	21.75	28.62	34.35
	kW min gross (QnHs)	8.59	8.59	8.59	8.59	8.59
Heat output CH (non condensing)	kW max (Pn)	13	16	19	25	30
	kW min (Pn)	7.5	7.5	7.5	7.5	7.5
Gas supply connection	(mm)	22	22	22	22	22
Inlet supply pressure (natural gas)	mbar	20	20	20	20	20
Maximum gas rate	m³/hr	1.42	1.75	2.07	2.73	3.27
Mechanical and hydraulic						
Compartment ventilation required	Yes / no	✗	✗	✗	✗	✗
Flow / return pipe size	(mm)	22	22	22	22	22
Condensate discharge pipe size	(mm)	21.50	21.50	21.50	21.50	21.50
Electrical						
Electrical supply	Volts / Hz	230V / 50Hz	230V / 50Hz	230V / 50Hz	230V / 50Hz	230V / 50Hz
Permanent live required	Yes / no	✗	✗	✗	✗	✗
Switched live	Yes / no	✓	✓	✓	✓	✓
Electrical power cable fitted as standard	1m of 3 core	✓	✓	✓	✓	✓
Power consumption	Watts	17	20	23	23	44
External fuse rating	Amps	3	3	3	3	3
Internal fuse rating		1.6T	1.6T	1.6T	1.6T	1.6T
Boiler IP rating (electrical protection)	Approval category	IPX4D	IPX4D	IPX4D	IPX4D	IPX4D
Pump overrun	Yes / no	✗	✗	✗	✗	✗
Concentric flue system						
Standard telescopic concentric flue	Length in mm	315-500	315-500	315-500	315-500	315-500
Horizontal and Vertical concentric (60/100 mm)	Max equivalent length (m)	6	6	6	6	6
	Reduction per 135° bend (m)	0.5	0.5	0.5	0.5	0.5
	Reduction per 93° bend (m)	1	1	1	1	1
Horizontal and Vertical concentric (80/125 mm)	Max equivalent length (m)	12	12	12	12	12
Weight						
Installer lift weight	Max (kg)	17.5	17.5	17.5	17.5	19.5
Gross packaged boiler weight	(kg)	19.5	19.5	19.5	19.5	21.5

What's inside the boiler?

Baxi 600 Heat



HOW WE MAKE IT EASY

Service is easier and quicker, and no special tools are required

Flues

Horizontal concentric flues Ø 60/100mm

Multifit Flue Group A

Item description	Colour	Specification	Key and OD dimensions	Baxi sales code	Heat Merchants code
1 Horizontal telescopic flue inc. low profile elbow and fixing screws	White pipe/white terminal	315mm - 500mm	100mm	720599401	U33815
2 Horizontal telescopic flue inc. low profile elbow and fixing screws	White pipe/black terminal	315mm - 500mm	100mm	720598701	U33814
3 1m flue extension inc. fixing screws and bracket	White	1000mm	100mm	720648801	U33816
4 93° flue bend inc. fixing screws	White	93°	100mm	720648401	U33821
5 135° flue bend inc. fixing screws (pair)	White	135°	100mm	720647901	U33820
6 Standard horizontal flue inc. low profile elbow and fixing screws	White pipe/black terminal	685mm	100mm	7222019	U72536
7 Horizontal telescopic in case rear flue inc. fixing screws	White pipe/black terminal		100mm	7210434	U64993

Plume displacement kits Ø 60/100mm

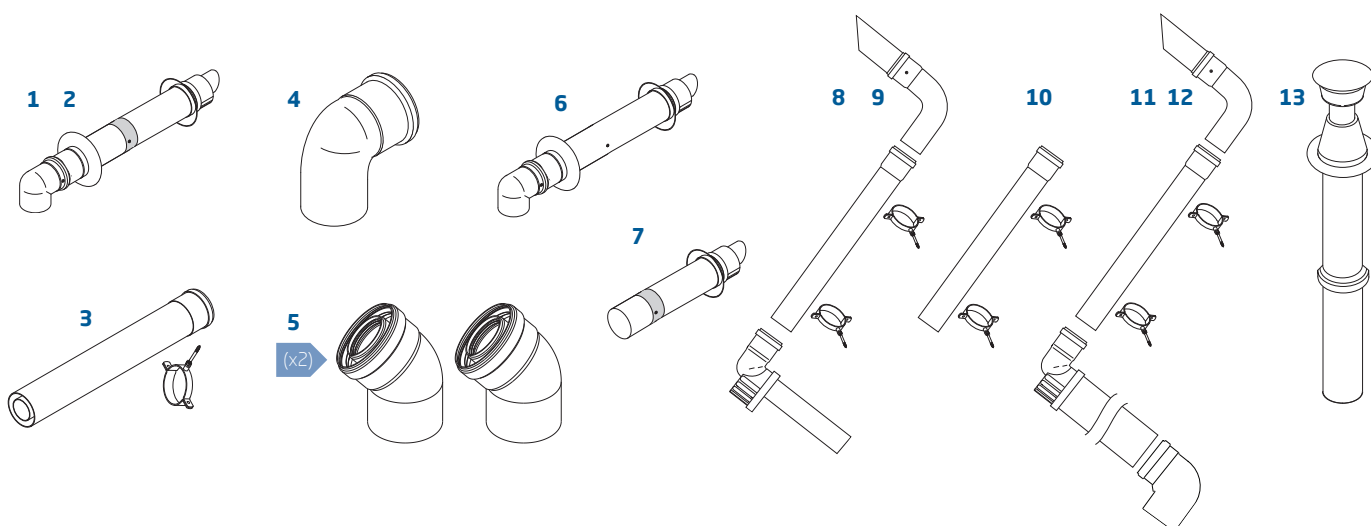
Multifit Flue Group A

Item description	Colour	Specification	Key and OD dimensions	Sales code	Heat Merchants code
8 Plume displacement terminal kit for telescopic flue inc 1m extension and brackets	White		60mm	720627001	U33830
9 Plume displacement terminal kit for telescopic flue inc 1m extension and brackets	Black		60mm	720622901	U33834
10 Plume displacement kit extension and brackets	White	1000mm	60mm	720643401	U33831
11 Plume displacement terminal kit inc. 1m extension and brackets	White		100mm	7225717	U33830
12 Plume displacement terminal kit inc. 1m extension and brackets	Black		100mm	7225716	U33834

Vertical concentric flues Ø 60/100mm

Multifit Flue Group A

Item description	Colour	Specification	Key and OD dimensions	Sales code	Heat Merchants code
13 Vertical flue terminal	Black		100mm	5118576	119903
3 1m flue extension inc. fixing screws and bracket	White	1000mm	100mm	720648801	U33816
4 93° flue bend inc. fixing screws	White	93°	100mm	720648401	U33821
5 135° flue bend inc. fixing screws (pair)	White	135°	100mm	720647901	U33820





Key features

Outputs: 15kW, 18kW, 24kW and 30kW

Only 19.5kg installer lift weight

Cupboard fit

Easy fit wall mounting bracket

One metre lead included

Top or rear flue option

Simple fixing of rear flue

No pump overrun or permanent live required

Front and side access

Wide choice of flue lengths, bends and accessories

Benefits

To suit most property sizes

The lightest boiler available in UK**

Can be installed discreetly

Robust with a positive fix and audible lock so you know it's secure

Easy to install and you don't need access to the control box

For ease of installation

For easy and fail-safe flue fixing

Saves time and money during installation, and less disruption for the householder

Servicing is easier and quicker, and no special tools are required

For versatile siting

* Subject to registration and an annual service. Terms and conditions apply. Visit baxi.co.uk/warranty ** As at October 2018.



Baxi 400 Heat



The rear flue option on the Baxi 400 Heat made it the perfect choice when I had to replace an old balanced flue boiler. So light, an easy lift weight, compact and easy to use for both installer and customer. The homeowner was very pleased.

George Drake
Installer

The Baxi 400 Heat is, at only 19.5kg, the lightest boiler available on the UK market.** It has a rear and central flue option and does not need a pump overrun or permanent live, making it suitable as a replacement for old boilers.

Small enough to fit into a cupboard, the Baxi 400 Heat has a contemporary style that will also fit with any modern interior.

Accessories

The following accessories are compatible with the Baxi 400 Heat



7212443
Baxi twin channel
wired programmer



720971601
Baxi room
thermostat

Technical specifications

HOW WE MAKE IT EASY

The lightest boiler available in the UK



Boiler dimensions

Width [A]	Height [B]	Depth [C]
370mm	625mm	270mm

Service clearances

Side [D]	Upper [E]	Lower [F]	Front [G]
5mm*	190mm*	120mm*	5mm*
	(* 35mm if using rear flue)	(* 35mm in 300mm deep wall cupboard)	(* in operation, 500mm for servicing)

*These are the minimum recommended dimensions. Greater clearance will aid installation and maintenance.



What's in the box?



Baxi 400 Heat boiler



Wall bracket

Literature pack

Power lead

Top flue adaptor

Copper tail (gas connection) and fibre washer

Technical details

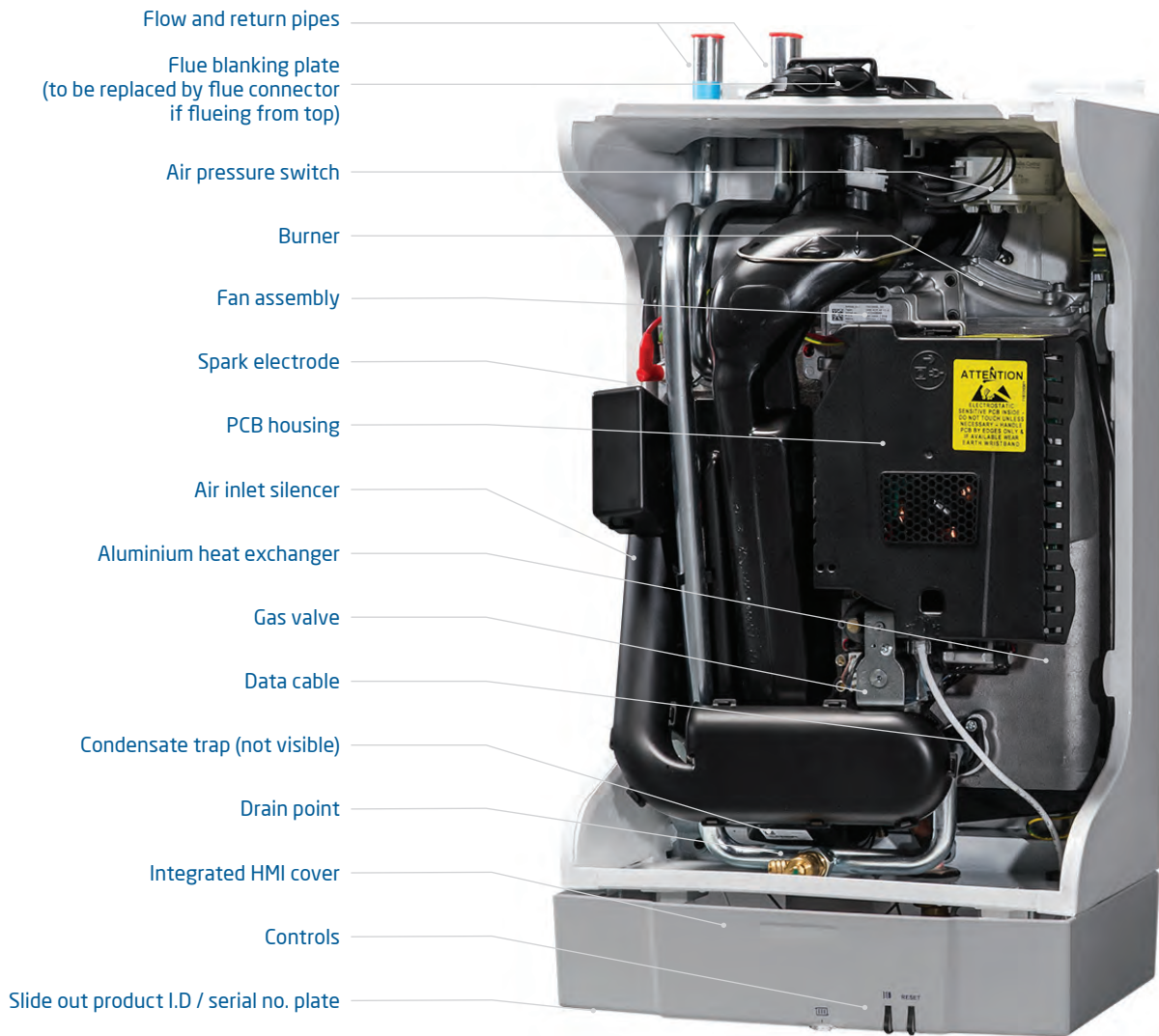
Baxi 400 Heat ErP

415 Heat 418 Heat 424 Heat 430 Heat

Baxi sales code	Boiler only	7668933	7668934	7668935	7668936
Heat Merchants code		U81641	U81643	U81644	U81645
Controls and accessories					
Operating mode selector switch with reset	Yes / no	✓	✓	✓	✓
User adjustable CH temperature	Range - e.g. 45°C to 82°C	✓	✓	✓	✓
LED temp/status/fault diagnosis display	Yes / no	✓	✓	✓	✓
Baxi twin channel wired programmer	7212443	Optional	Optional	Optional	Optional
Baxi room thermostat	720971601	Optional	Optional	Optional	Optional
Gas					
Boiler Plus ErP	%	93.0	93.0	93.0	93.0
SAP 2009 annual efficiency (PCDB/SEDBUK)	%	89.2	89.2	89.1	89.1
NOx class	1 - 5	6	6	6	6
ErP Product Information					
NOx	mg/kWh	20	21	23	24
Sound power level, indoors	LWA dB	33	34	35	37
Space heating efficiency class		A	A	A	A
Heat input CH	kW max gross (QnHs)	18.32	21.75	28.62	34.35
	kW min gross (QnHs)	8.59	8.59	8.59	8.59
Heat output CH (non condensing)	kW max (Pn)	16	19	25	30
	kW min (Pn)	7.5	7.5	7.5	7.5
Gas supply connection	(mm)	22	22	22	22
Inlet supply pressure (natural gas)	mbar	20	20	20	20
Maximum gas rate	m³/hr	1.75	2.07	2.73	3.27
Mechanical and hydraulic					
Compartment ventilation required		x	x	x	x
Flow / return pipe size	(mm)	22	22	22	22
Condensate discharge pipe size	(mm)	21.50	21.50	21.50	21.50
Electrical					
Electrical supply	Volts / Hz	230V / 50Hz	230V / 50Hz	230V / 50Hz	230V / 50Hz
Permanent live required	Yes / no	x	x	x	x
Switched live	Yes / no	✓	✓	✓	✓
Electrical power cable fitted as standard	1m of 3 core	✓	✓	✓	✓
Power consumption	Watts	20	23	33	44
External fuse rating	Amps	3	3	3	3
Internal fuse rating		1.6T	1.6T	1.6T	1.6T
Boiler IP rating (electrical protection)	Approval category	IPX4D	IPX4D	IPX4D	IPX4D
Pump overrun	Yes / no	x	x	x	x
Concentric flue system					
Standard telescopic concentric flue	Length in mm	315-500	315-500	315-500	315-500
Standard in-case rear telescopic concentric flue	Length in mm	220 - 345	220 - 345	220 - 345	220 - 345
Horizontal and Vertical concentric (60/100 mm)	Max equivalent length (m)	6	6	6	6
	Reduction per 135° bend (m)	0.5	0.5	0.5	0.5
	Reduction per 93° bend (m)	1	1	1	1
Horizontal and Vertical concentric (80/125 mm)	Max equivalent length (m)	12	12	12	12
Weight					
Installer lift weight	Max (kg)	19.5	19.5	19.5	19.5
Gross packaged boiler weight	(kg)	21.5	21.5	21.5	21.5

What's inside the boiler?

Baxi 400 Heat



HOW WE MAKE IT EASY

Servicing is easier and quicker, and no special tools are required

Flues

Horizontal concentric flues Ø 60/100mm

Multifit Flue Group A

Item description	Colour	Specification	Key and OD dimensions	Baxi sales code	Heat Merchants code
1 Horizontal telescopic flue inc. low profile elbow and fixing screws	White pipe/white terminal	315mm - 500mm	100mm	720599401	U33815
2 Horizontal telescopic flue inc. low profile elbow and fixing screws	White pipe/black terminal	315mm - 500mm	100mm	720598701	U33814
3 1m flue extension inc. fixing screws and bracket	White	1000mm	100mm	720648801	U33816
4 93° flue bend inc. fixing screws	White	93°	100mm	720648401	U33821
5 135° flue bend inc. fixing screws (pair)	White	135°	100mm	720647901	U33820
6 Standard horizontal flue inc. low profile elbow and fixing screws	White pipe/black terminal	685mm	100mm	7222019	U72536
7 Horizontal telescopic in case rear flue inc. fixing screws	White pipe/black terminal		100mm	7210434	U64993

Plume displacement kits Ø 60/100mm

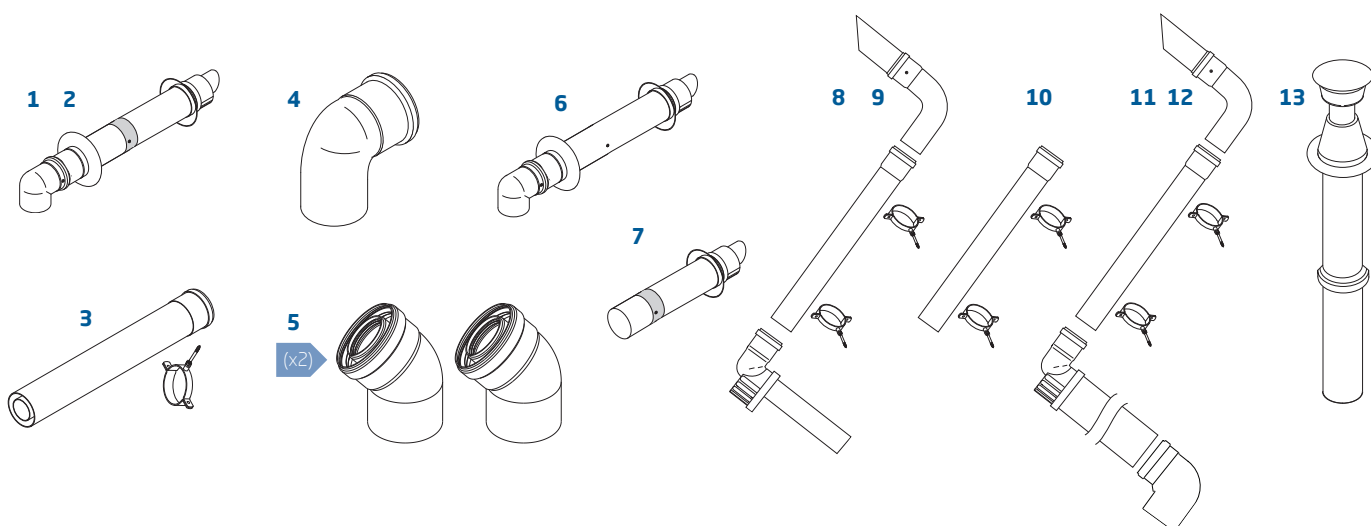
Multifit Flue Group A

Item description	Colour	Specification	Key and OD dimensions	Sales code	Heat Merchants code
8 Plume displacement terminal kit for telescopic flue inc 1m extension and brackets	White		60mm	720627001	U33830
9 Plume displacement terminal kit for telescopic flue inc 1m extension and brackets	Black		60mm	720622901	U33834
10 Plume displacement kit extension and brackets	White	1000mm	60mm	720643401	U33831
11 Plume displacement terminal kit inc. 1m extension and brackets	White		100mm	7225717	U33830
12 Plume displacement terminal kit inc. 1m extension and brackets	Black		100mm	7225716	U33834

Vertical concentric flues Ø 60/100mm

Multifit Flue Group A

Item description	Colour	Specification	Key and OD dimensions	Sales code	Heat Merchants code
13 Vertical flue terminal	Black		100mm	5118576	119903
3 1m flue extension inc. fixing screws and bracket	White	1000mm	100mm	720648801	U33816
4 93° flue bend inc. fixing screws	White	93°	100mm	720648401	U33821
5 135° flue bend inc. fixing screws (pair)	White	135°	100mm	720647901	U33820



Flue solutions

Multifit flue kits now come with positive screw fixings for all connections and are available in a choice of lengths to reduce the need for onsite cutting. By popular demand we offer a choice of colours for the terminals to match existing rainwater systems.

	Flue type	Group A	Group G
Maximum permissible equivalent flue lengths for Baxi combi, system boilers are:	Horizontal concentric Vertical concentric	10m 10m	20m 20m
Maximum permissible equivalent flue lengths for Baxi heat only boilers are:	Horizontal concentric Vertical concentric	6m 6m	12m 12m
Where inline bends are required in a flue system, the overall length must be reduced by the following amounts:	Concentric pipes	135° bend 93° bend	0.5m 1m

Horizontal concentric flues Ø 60/100mm

Multifit Flue Group A

Item	Description (multifit) flue system	Colour	Specification	Key and OD dimensions	Baxi sales code	Heat Merchants code
1	Horizontal telescopic flue inc. low profile elbow and fixing screws	White pipe/ white terminal	315mm - 500mm	60/100mm	720599401	U33815
2	Horizontal telescopic flue inc. low profile elbow and fixing screws	White pipe/ black terminal	315mm - 500mm	60/100mm	720598701	U33814
3	Horizontal telescopic flue inc. low profile elbow and fixing screws	White pipe/ brown terminal	315mm - 500mm	60/100mm	720642701	U13960
4	Standard horizontal flue inc. low profile elbow and fixing screws*	White pipe/ black terminal	685mm	100mm	7222019	U72536
5	Flue terminal deflector	White		60mm	720644201	U33833
6	Flue terminal deflector	Black		60mm	5111068	U33838
7	Flue terminal deflector	Brown		60mm	720644301	U13959
8	1m flue extension inc. fixing screws	White	1000mm	100mm	720648801	U33816
9	0.5m flue extension inc. fixing screws	White	500mm	100mm	720643001	U33817
10	0.25m flue extension inc. fixing screws	White	250mm	100mm	720643101	U33818
11	93° flue bend inc. fixing screws	White	93°	100mm	720648401	U33821
12	135° flue bend inc. fixing screws	White	135°	100mm	720648501	U33822
13	135° flue bend inc. fixing screws (pair)	White	135°	100mm	720647901	U33820
14	Offset adaptor elbow	White	EcoBlue Advance Combi and Ecoblue 32 System only	100mm	720635501	U73643
15	Stainless steel terminal guard - Ø 60/100	S/S	Stainless steel	100mm	720627901	U33823

Plume displacement kits Ø 60/100mm

Multifit Flue Group A

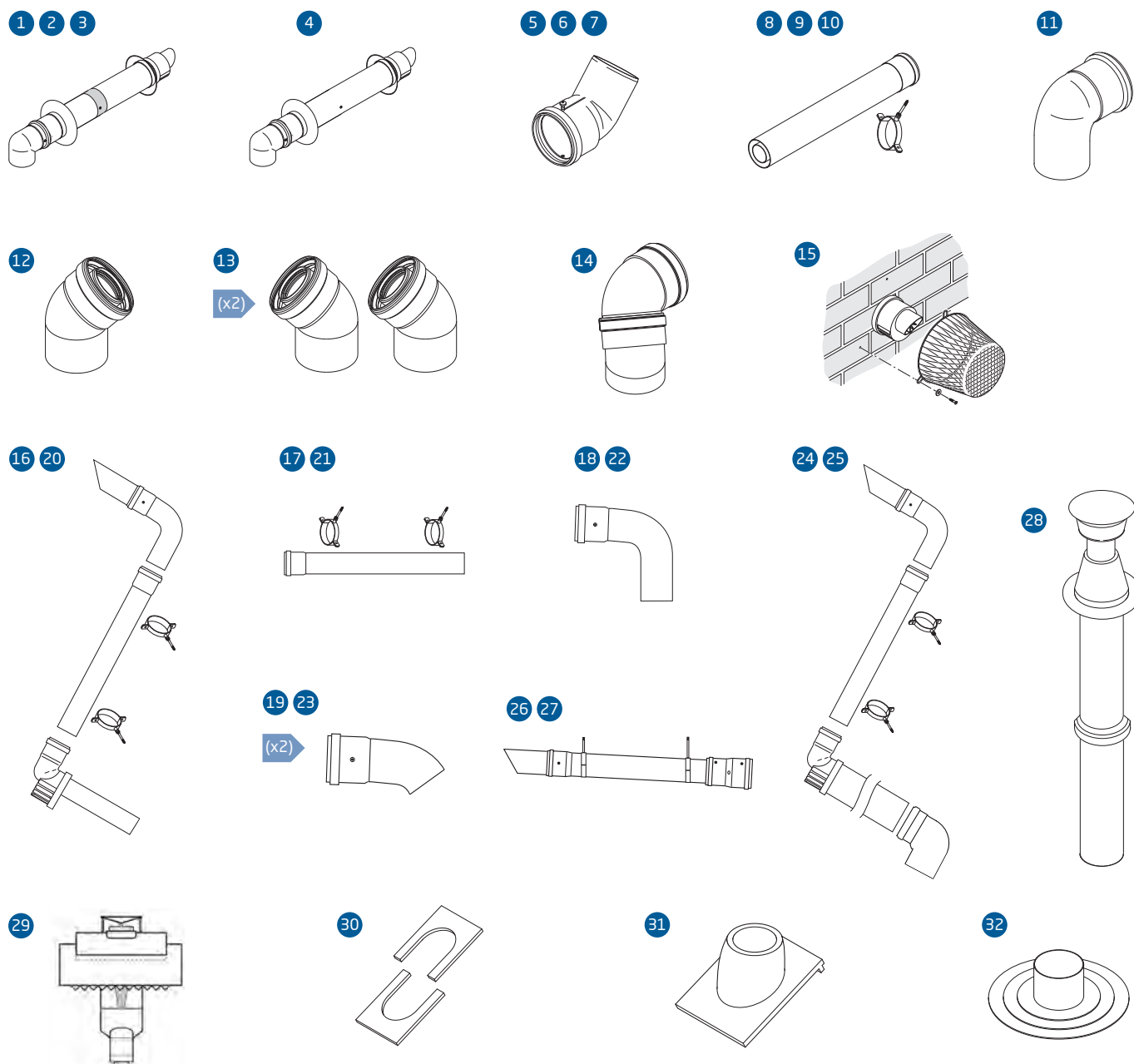
Item	Description (multifit) flue system	Colour	Specification	Key and OD dimensions	Baxi sales code	Heat Merchants code
16	Plume displacement terminal kit for telescopic flue inc. 1m extension and brackets	White		60mm	720627001	U33830
17	Plume displacement kit extension and brackets	White	1000mm	60mm	720643401	U33831
18	Plume displacement kit bend	White	93°	60mm	5121369	U33832
19	Plume displacement kit bend - pair	White	135°	60mm	5121370	118739
20	Plume displacement terminal kit for telescopic flue inc. 1m extension and brackets	Black		60mm	720622901	U33834
21	Plume displacement kit extension and brackets	Black	1000mm	60mm	720643301	U33835
22	Plume displacement kit bend	Black	93°	60mm	720648701	U33837
23	Plume displacement kit bend - pair	Black	135°	60mm	720648601	U33836
24	Plume displacement terminal kit inc. 1m extension and brackets	White		60mm	7225717	U33830
25	Plume displacement terminal kit inc. 1m extension and brackets	Black		60mm	7225716	U33834

* Not compatible with items 16 and 20

Vertical concentric flues Ø 60/100mm

Multifit Flue Group A

Item	Description (multifit) flue system	Colour	Specification	Key and OD dimensions	Baxi sales code	Heat Merchants code
26	Under balcony eaves flue kit	White	135°	60mm	7211039	U13963
27	Under balcony eaves flue kit	Black	135°	60mm	7211041	U13962
28	Vertical flue terminal	Black		100mm	5118576	119903
29	Vertical ridge flue terminal	Brown		100mm	720647101	U13961
30	Roof cover plate			125mm	246143	118229
8	1m flue extension inc. fixing screws	White	1000mm	100mm	720648801	U33816
9	0.5m flue extension inc. fixing screws	White	500mm	100mm	720643001	U33817
10	0.25m flue extension inc. fixing screws	White	250mm	100mm	720643101	U33818
11	93° flue bend inc. fixing screws	White	93°	100mm	720648401	U33821
12	135° flue bend inc. fixing screws	White	135°	100mm	720648501	U33822
13	135° flue bend (pair) inc. fixing screws	White	135°	100mm	720647901	U33820
31	Pitched roof flashing		25°/50°	125mm	5122151	118324
32	Flat roof flashing			125mm	246144	118226



Flue solutions

Horizontal concentric flues Ø 80/125mm

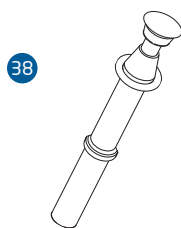
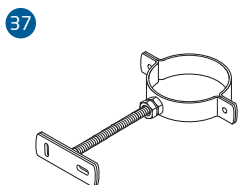
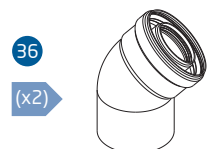
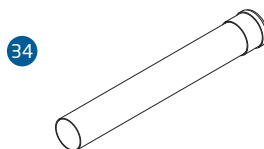
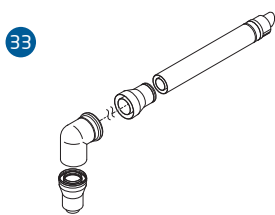
Multifit Flue Group G

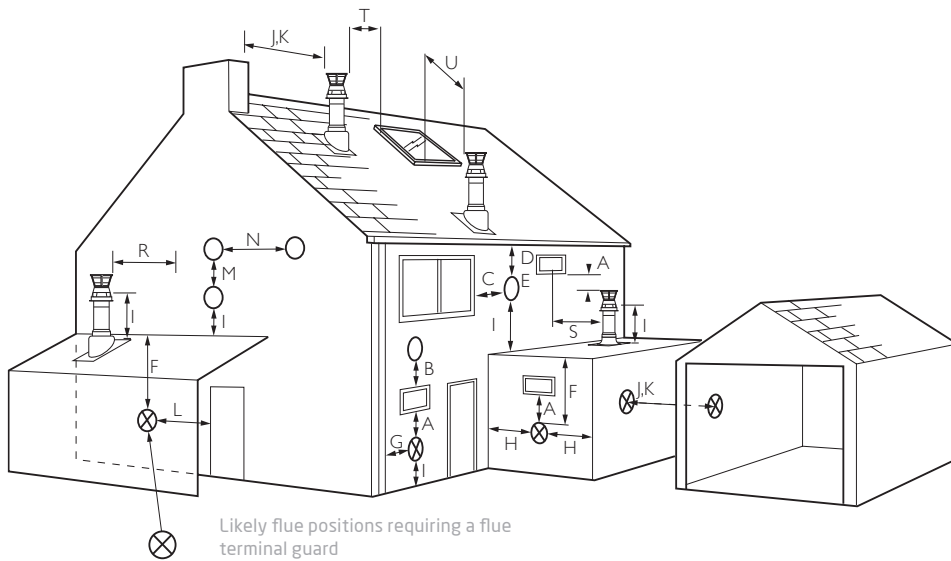
Item	Description (multifit) flue system	Colour	Specification	Key and OD dimensions	Baxi sales code	Heat Merchants code
33	Horizontal flue inc. boiler and terminal adaptors	Black		125mm	5118580	U33829
34	1m flue extension	White	1000mm	125mm	5118584	119906
35	Flue bend	White	91.5°	125mm	5118588	119907
36	Flue bend (pair)	White	135°	125mm	5118597	119908
37	Pipe support bracket	White	125mm flue pipes	125mm	5118610	U33819

Vertical concentric flues Ø 80/125mm

Multifit Flue Group G

Item	Description (multifit) flue system	Colour	Specification	Key and OD dimensions	Baxi sales code	Heat Merchants code
38	Vertical flue terminal	Black		125mm	5111078	118770
34	1m flue extension	White	1000mm	125mm	5118584	119906
35	Flue bend	White	91.5°	125mm	5118588	119907
36	Flue bend (pair)	White	135°	125mm	5118597	119908
30	Roof cover plate			125mm	246143	118229
39	Flue vertical adaptor	White		100/125mm	5111070	118755
31	Pitched roof flashing		25°/55°	125mm	5122151	118324
32	Flat roof flashing			125mm	246144	118226
36	Pipe support brackets	White	125mm flue pipes	125mm	5118610	U33819

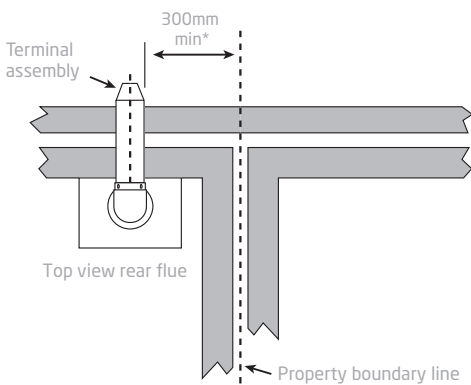




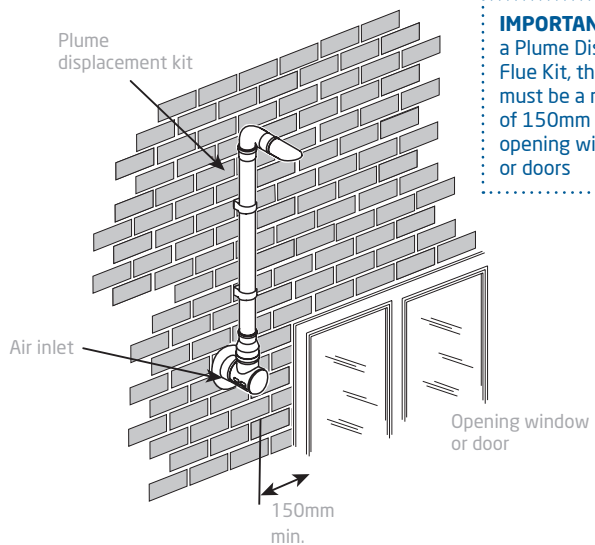
Terminal position with minimum distance

- A¹ Directly below an opening, air brick, opening windows etc
- B¹ Above an opening, air brick, opening window etc
- C¹ Horizontally to an opening, air brick, opening window etc
- D² Below gutters, soil pipes or drain pipes
- E² Below eaves
- F² Below balconies or car port roof
- G² From a vertical drain pipe or soil pipe
- H² From an internal or external corner
- I Above ground, roof or balcony level
- J From a surface or boundary line facing a terminal
- K From a terminal facing a terminal (Horizontal flue)
- K From a terminal facing a terminal (Vertical flue)

<table border="0"> <tr><td>(mm)</td><td>L</td><td>From an opening in a carport (e.g. door, window) into the dwelling</td><td>1200</td></tr> <tr><td></td><td>M</td><td>Vertically from a terminal on the same wall</td><td>1500</td></tr> <tr><td></td><td>N</td><td>Horizontally from a terminal on the same wall</td><td>300</td></tr> <tr><td></td><td>R</td><td>From adjacent wall to flue (vertical only)</td><td>300</td></tr> <tr><td></td><td>S</td><td>From an adjacent opening window (vertical only)</td><td>300</td></tr> <tr><td></td><td>T</td><td>Adjacent to windows or openings on pitched and flat roofs</td><td>600</td></tr> <tr><td></td><td>U</td><td>Below windows or openings on pitched roofs</td><td>2000</td></tr> </table>	(mm)	L	From an opening in a carport (e.g. door, window) into the dwelling	1200		M	Vertically from a terminal on the same wall	1500		N	Horizontally from a terminal on the same wall	300		R	From adjacent wall to flue (vertical only)	300		S	From an adjacent opening window (vertical only)	300		T	Adjacent to windows or openings on pitched and flat roofs	600		U	Below windows or openings on pitched roofs	2000	<ol style="list-style-type: none"> 1. In addition, the terminal should be no nearer than 150mm to an opening in the building fabric formed for the purpose of accommodating a built-in element such as a window frame. 2. Only ONE 25mm clearance is allowed per installation. If one of the dimensions D, E, F, G or H is 25mm then the remainder MUST be as B.S.5440-1.
(mm)	L	From an opening in a carport (e.g. door, window) into the dwelling	1200																										
	M	Vertically from a terminal on the same wall	1500																										
	N	Horizontally from a terminal on the same wall	300																										
	R	From adjacent wall to flue (vertical only)	300																										
	S	From an adjacent opening window (vertical only)	300																										
	T	Adjacent to windows or openings on pitched and flat roofs	600																										
	U	Below windows or openings on pitched roofs	2000																										



NOTE: The distance from a fanned draught appliance terminal installed parallel to a boundary may not be less than 300mm in accordance with the diagram.



IMPORTANT: If fitting a Plume Displacement Flue Kit, the air inlet must be a minimum of 150mm from any opening windows or doors

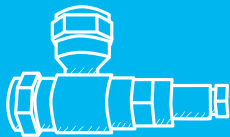
How we can help



Baxi Customer Support

- Team of experts with products at hand to support installation, service and repair
- Further technical support and how-to videos available at [baxi.co.uk](https://www.baxi.co.uk)

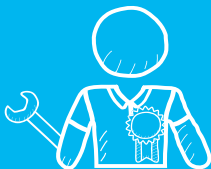
Call us on **014590870**



Baxi Genuine Parts

- Approved parts for Baxi products
- Guaranteed quality, safety and reliability
- Nationwide network of approved stockists
- Lifetime support for Baxi products
- Range of heating essentials available

Call our knowledgeable and helpful team on **014590870** or visit [baxi.co.uk/baxi-genuine-parts.htm](https://www.baxi.co.uk/baxi-genuine-parts.htm) to identify parts and find your nearest stockist



Training

- Practical, hands on training
- Free of charge product training
- A range of specialist courses
- Expert trainers, all accredited, former heating engineers
- Training centres across the UK

Call **014590870** or email training@potterton-myson.ie



Baxi Works

Sign up to **Baxi Works**, Baxi's online loyalty scheme for installers. Benefits include:

- Same or next day engineer call out from Baxi Customer Support*
- Easy warranty registration
- Scan your barcodes using the Baxi Toolbelt App
- Free annual service reminders sent to your customers on your behalf
- Earn points for every boiler you register

Visit baxiworks.ie to find out more



Literature

You can order all the literature you need for you and your customers, including:

- Range guides
- Product brochures for consumers
- Installation instructions
- User guides
- Instructions for discontinued products

All our literature can be downloaded from our website

baxi.co.uk/trade/technical-support/product-literature

* Full Baxi Works terms and conditions apply.

Where to buy

Heat Merchants is a 100% Irish owned company supplying a comprehensive range of products including central heating systems, gas and oil boilers, spare parts, bathrooms and the latest renewable energy technology through our national network of 32 branches.

<http://www.heatmerchants.ie/z/branch-locations/193>



BAXI
POTTERTON MYSON



00353(0) 1 4590870

Opening hours

Monday - Thursday, 8.00am - 4.30pm,

Fridays 08.00am - 4.00pm

Please note calls may be monitored or recorded.



baxipottertonmyson.ie



General enquiries

sales@baxipottertonmyson.ie

Book a course

warranty@baxipottertonmyson.ie



Baxi Potterton Myson

Unit F 5&6, Calmount Park,
Calmount Road, Ballymount,
Dublin 12, Ireland

Follow us



This brochure is printed on paper sourced from well managed forests and other controlled sources, using vegetable based inks. Please recycle this brochure when you have finished with it.

Baxi policy is one of continual improvement and development. The right to change specification and appearance without prior notice is reserved. The reproduction of colours is as accurate as photographic and printing processes allow. The consumer's statutory rights are not affected. e&oe

Baxi Heat Merchants range guide/Jul19

BAXI
Make it easy